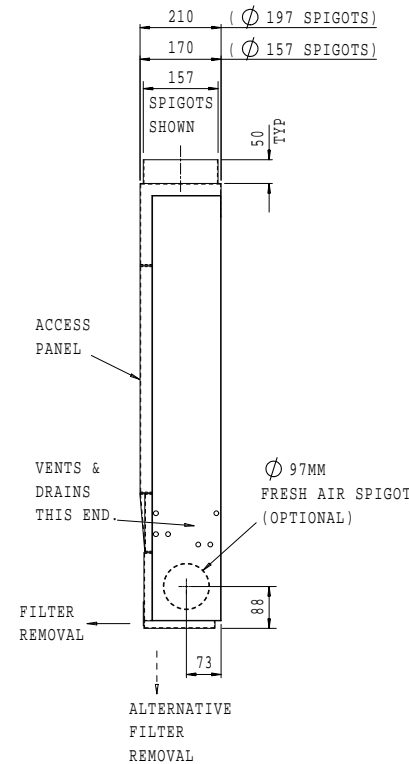
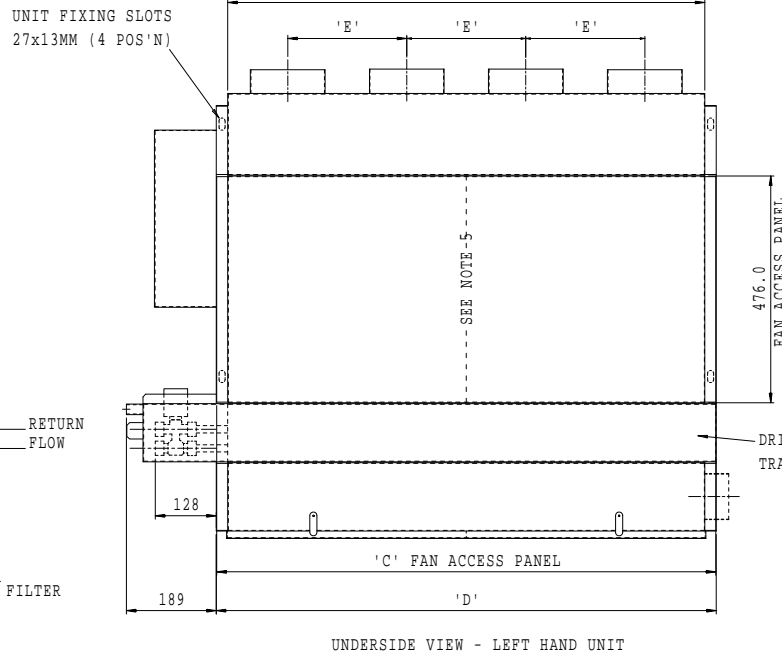
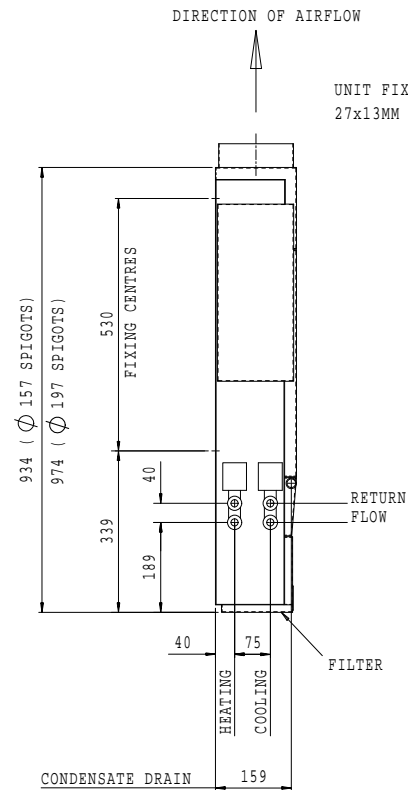


UNIT SIZE	'A'	'B'	'C'	'D'
1	776	752	798	800
2	1026	1002	1048	1050
3	1426	1402	1448	1450
4	1826	1802	1848	1850



PLENUM TYPE	UNIT SIZE	SPIGOTS No. OFF	DIM 'E'	
SC157	1	3	250	Ø 157
	2	4	250	Ø 157
	3	6	230	Ø 157
	4	7	240	Ø 157
SC197	1	2	350	Ø 197
	2	3	330	Ø 197
	3	4	330	Ø 197
	4	5	385	Ø 197

SEE NOTE 6.

- NOTES:
1. ACOUSTIC LINED UNIT.
 2. LEFT HAND UNIT AS DRAWN, RIGHT HAND UNIT OPPOSITE HAND.
 3. GENERAL TOLERANCE ON OVERALL DIMENSIONS +/- 4mm.
 4. RETURN AIR SENSOR TO BE FITTED ON OPPOSITE SIDE TO FRESH AIR SPIGOT (IF FITTED).
 5. SIZE 4 UNIT ACCESS PANELS & FILTERS SUPPLIED IN 2 SECTIONS FOR EASE OF MAINTENANCE.
 6. Ø 197 SPIGOTS ARE A SPECIAL OPTION & CAN BE PROVIDED AT ADDITIONAL COST - PLEASE CONTACT OUR OFFICE FOR INFORMATION.

REV.	MOD.NO.	DATE	DRN	CHKD	DRAWING TO B.S. 308:PARTS 1,2 AND 3. WELDING TERMS AND SYMBOLS TO B.S. 499:PART 2.	DRG SCALE 1:1	PRINT SCALE N.T.S.	DRAWN DD	 47 Central Avenue, West Molesey, Surrey, KT8 2QZ Telephone 020 8783-0033. Fax 020 8783-0140
3	COMPANY DETAILS REVISED	26-10-17	JD			MAT'L		DATE 20-12-12	
MODIFICATION CHARACTERISTIC SYM CHARACTERISTIC SYM Straightness — Angularity ∠ Flatness ▧ Run out ∟ Roundness ○ Position ⊕ Cylindricity Ⓢ Concentricity ⊙ Profile of a line ∩ Symmetry ≡ Profile of a surface ∪ M.M.C. ⊖ Parallelism // Squareness ⊥					ALL DIMENSIONS IN MM THIRD ANGLE PROJECTION TOLERANCES UNLESS OTHERWISE STATED DIMENSIONAL ± 0.5 ANGULAR ± 1°	FINISH		APP'D	JOB STANDARD
2	NOTE 6 ADDED	27-05-14	DD					DATE	DRG.NO. A1/28311
1	FIRST ISS.	20-12-12	DD						