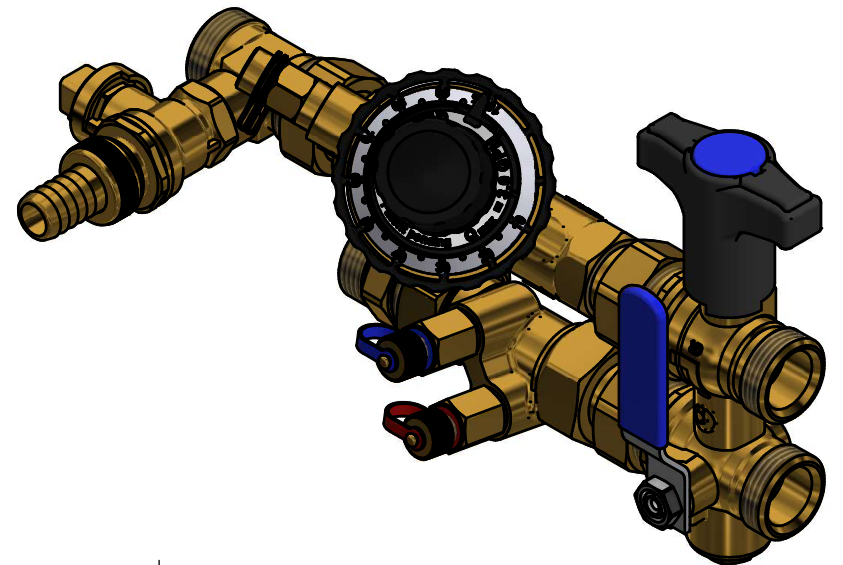
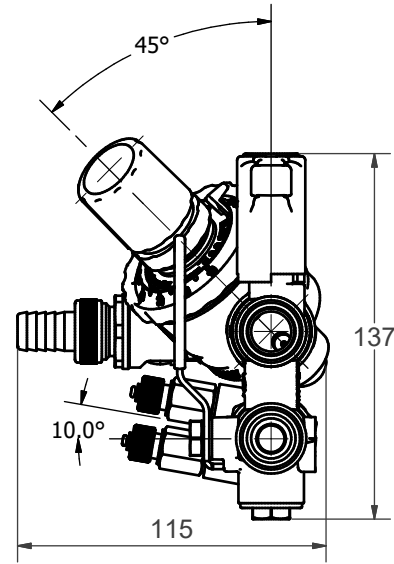
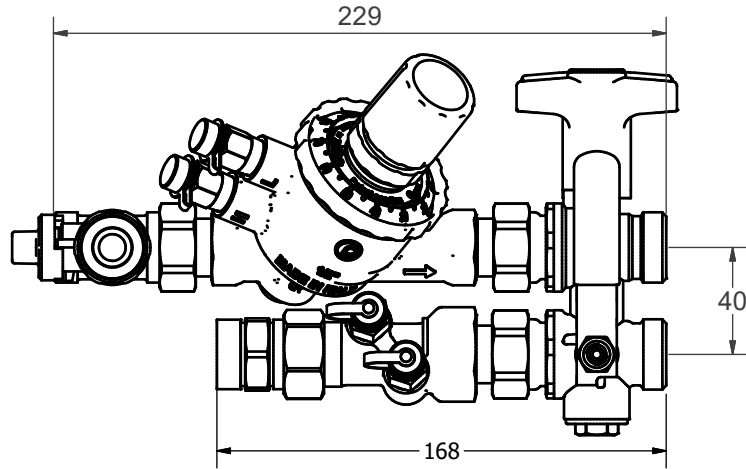
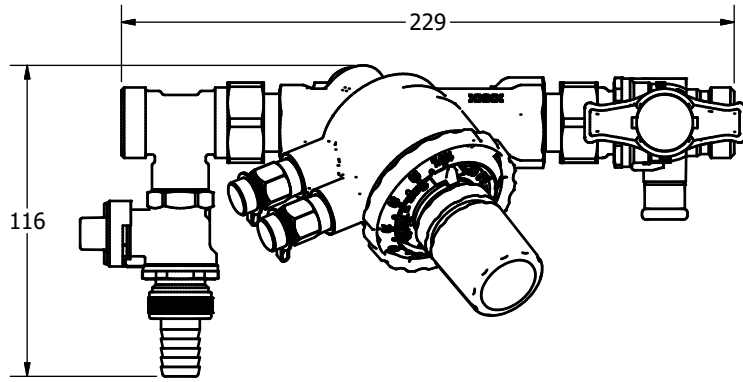


Assembly		
Type	PICV	Venturi [mm]
0X4B1RCLA0	PEB91VL.04	3
0X4B2RCLB0	PEB91L.04	4.25
0X4B2RCLC0	PEB91L.04	6
0X4B3RCLD0	PEB91H.04	7.5



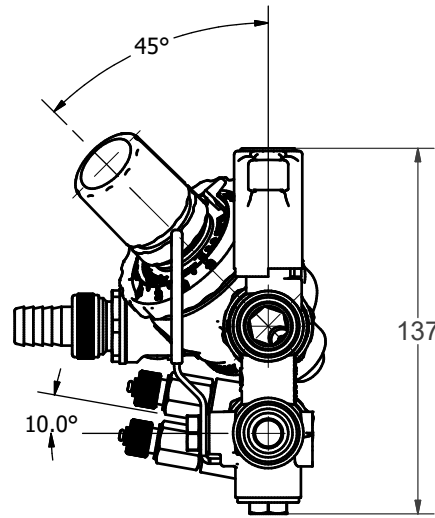
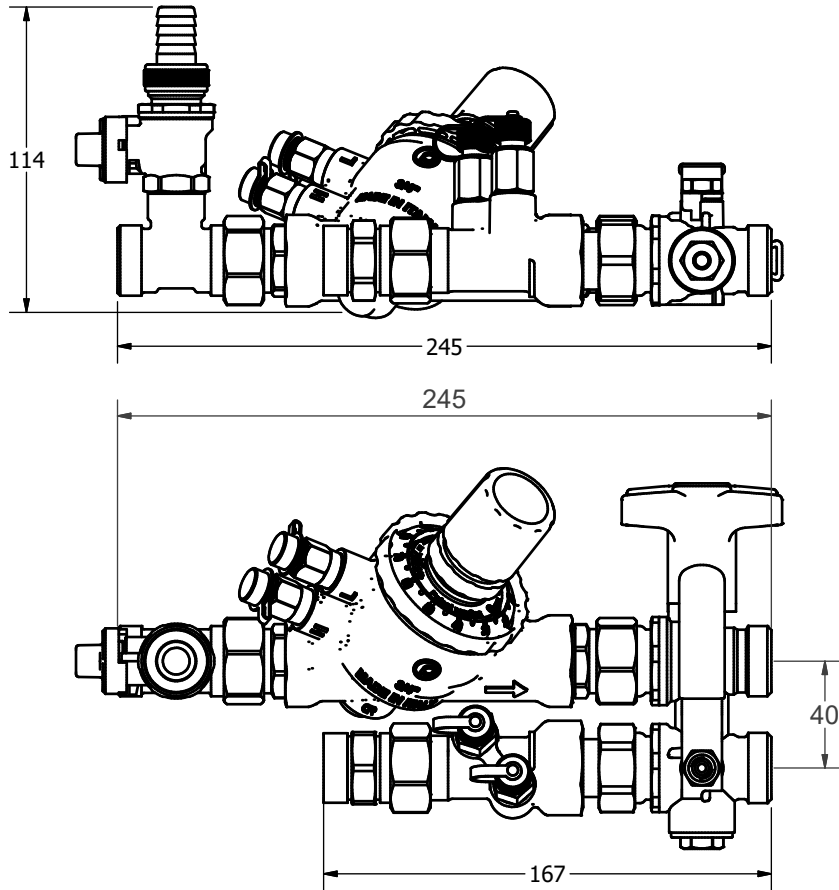
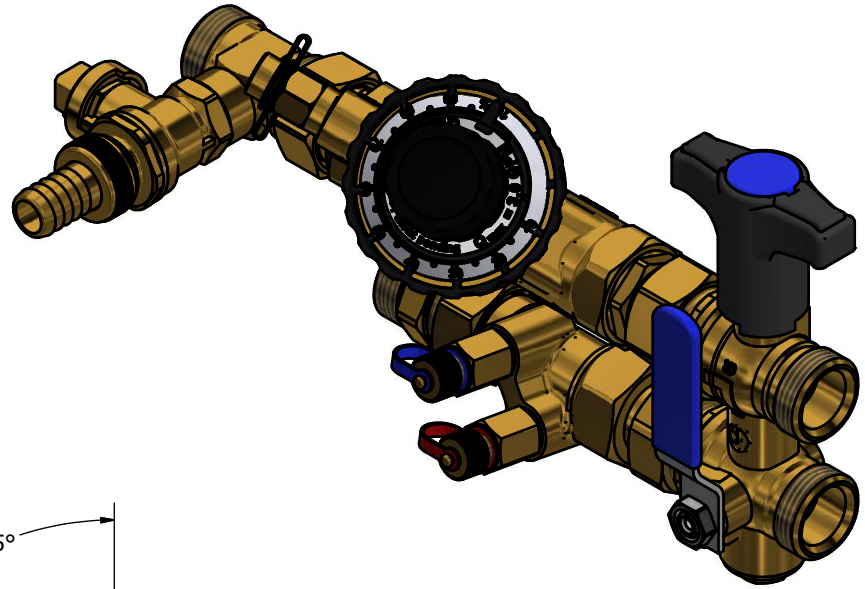
Revision	C	Issued	17/01/2020
----------	---	--------	------------

Discription
0X4 1/2" PICV & Drain in the Return, Venturi on flow Cooling, Left, Vertical.

REVISION HISTORY		
REV	DESCRIPTION	DATE
A		22/10/2018
B	B:Angles adjustment for H/K versions	
C	Moved drain to Return	24/11/2020

 <small>PETTINAROLI UK LTD RIVERSIDE UNIT K AUSTIN WAY, HAMSTEAD IND. ESTATE, BIRMINGHAM, B42 1DU. TEL: 0121 358 2012</small>	Drawing No. 0X4BxRCLx0		<small>All Dim's in mm, General Tolerances Unless Stated, Dim's in Whole Units Toleranced ± 2.00mm Per Joint, Assembly To Be Leak Tested Underwater To 6 Bar Air.</small>
	Drawn By AC	Sheet No 1 of 2	

Assembly		
Type	PICV	Venturi [mm]
0X4B4RCLE0	PEB91L.06	9
0X4B5RCLF0	PEB91H.06	10.5



Revision C Issued 17/01/2020

Discription
0X4 3/4" PICV & Drain in the Return, Venturi on flow Cooling, Left, Vertical.

PETTINAROLI
UK
PETTINAROLI UK LTD
RIVERSIDE UNIT K
AUSTIN WAY, HAMSTEAD IND. ESTATE,
BIRMINGHAM,
B42 1DU. TEL: 0121 358 2012

Drawing No.
0X4BxRCLx0 (3/4")

Drawn By
AC

Sheet No
2 of 2

All Dim's in mm, General Tolerances Unless Stated.
Dim's in Whole Units Toleranced $\pm 2.00\text{mm}$ Per Joint.
Assembly To Be Leak Tested Underwater To 6 Bar Air.