

INTEGRAL HORIZONTAL



Datasheet

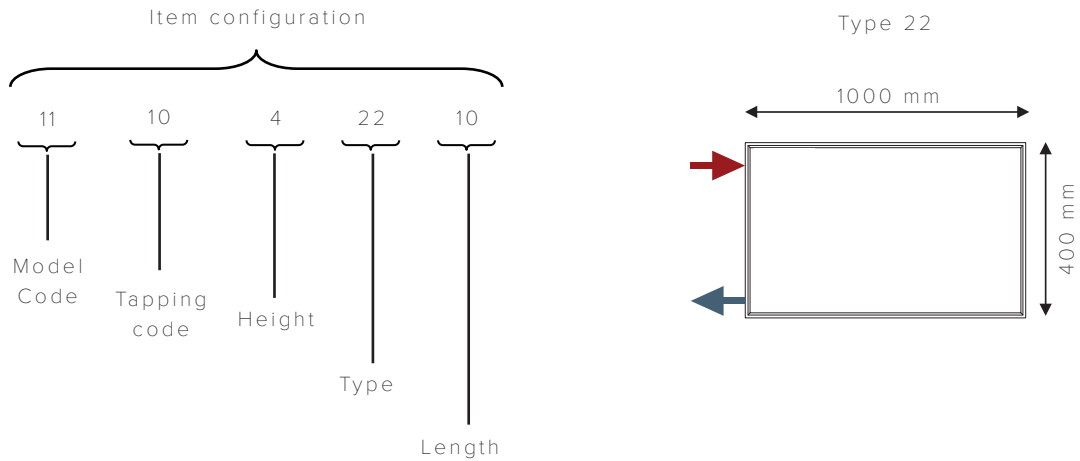
INDEX

Specification 2
 Description..... 3
 Tapping overview with measurements 4
 Built-in valves 7
 Other options..... 7
 Illustrations..... 8
 Dimensions..... 9
 Output..... 11
 Accessories 12

SPECIFICATION

HOW TO SPECIFY AN ITEM

Item number example 111042210



Note

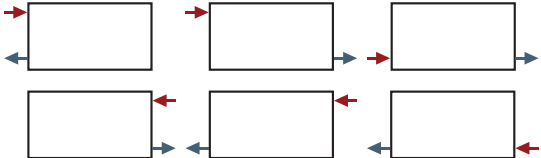

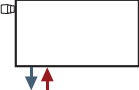


Thermostat sensor head is not included in the product - should be ordered separately.
 If no orientation is specified, products will be delivered as a RIGHT version.

DESCRIPTION

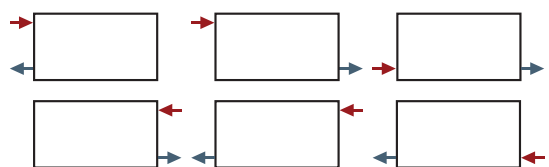
Hudevad Integral Horizontal is a very robust radiator which fits into any environment. A stylish and timeless design with a flat front and rounded corners complying with today's heating design demands. The Integral Horizontal has been a bestseller in Scandinavia for decades. The flat front and the flushed sides make the radiator very easy to clean and highly durable.

Material	Radiator panels: 1.20 mm steel according to EN10051 Heating element: steel panel according to EN442
Test pressure	13 bar
Max. operating pressure	10 bar - in accordance with EN 442
Max. operating temperature	110°C
Warranty	10 years
Surface treatment	Pre-treatment by degreasing and steel phosphating. Powder coated in accordance with DIN 55900, EN 442. On the emitter the powder coating is preceded by primer coating.
Type	10, 11, 20, 21, 22 and 33 (Selected types not available in all tapping configurations)
Height	300, 400, 500, 600, 700 & 900 mm For height 200, please see Integral Lowline
Length	400 to 2000 mm, in increments of 100 mm
Depth	15, 60, 78, 100 and 159 mm
Tappings	All tappings 1/2" standard (adapters available) Tappings codes 13 and 14 also have 4 x 3/4" euroconus connections.
Installation	Hudevad wall brackets, air vent, blind plug, screws and rawl plugs are included. Feet for floor mounting and other custom brackets to be ordered separately.
Mounting straps	2 pcs. mounting straps up to 1700 mm and 3 pcs. from 1800 mm
Colour	Powder coated in white RAL 9016, gloss 70 Option: Painted in other colours. Please see the Hudevad Radiator Design Colour Brochure at www.hudevad.com
Options	Feet. For further options contact your local Hudevad sales agent.

TAPPING OVERVIEW

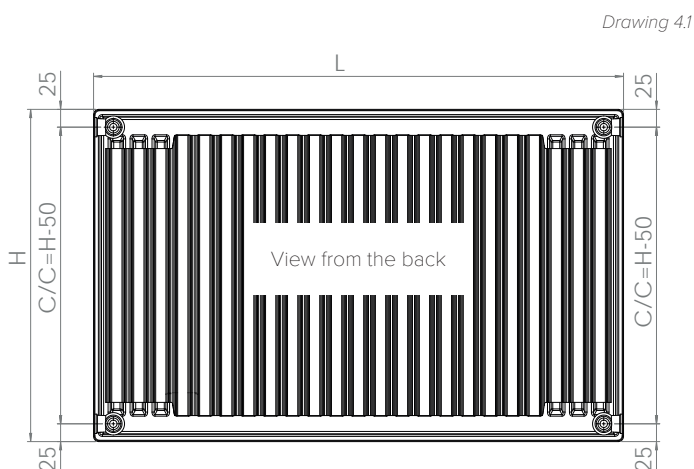
Tapping code	Tapping type	Tapping possibilities
10	ABCD (4 tap)	
11	FF built-in valve (6 tap right)	
12	EE built-in valve (6 tap left)	
13	Center tap R (8 tap right)	
14	Center tap L (8 tap left)	

TAPPING CODE 10 - Tapping possibilities ABCD

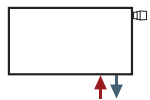


View from the front

H, mm	L in mm
300	
400	400-2000 mm
500	in
600	100 mm
700	increments
900	



TAPPING CODE 11 - Tapping possibilities - FF built-in valve RIGHT



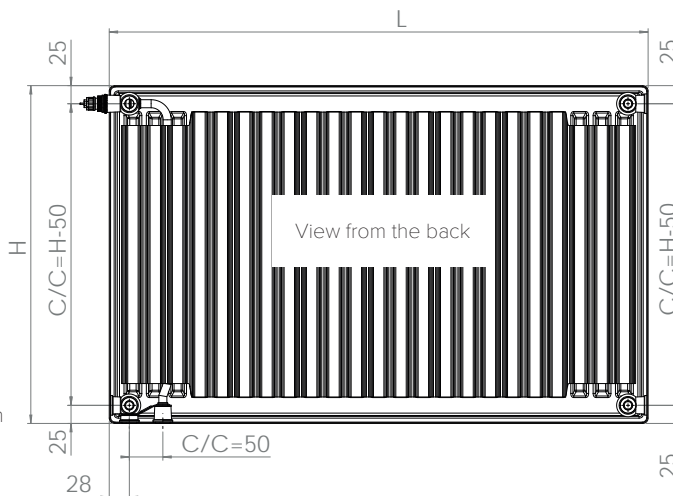
View from the front

H, mm	L in mm
300	
400	400-2000 mm
500	in
600	100 mm
700	increments
900	

Note

Type 10 and 20 is not possible in this tapping configuration

Drawing 5.1



TAPPING CODE 12 - Tapping possibilities - EE built-in valve LEFT



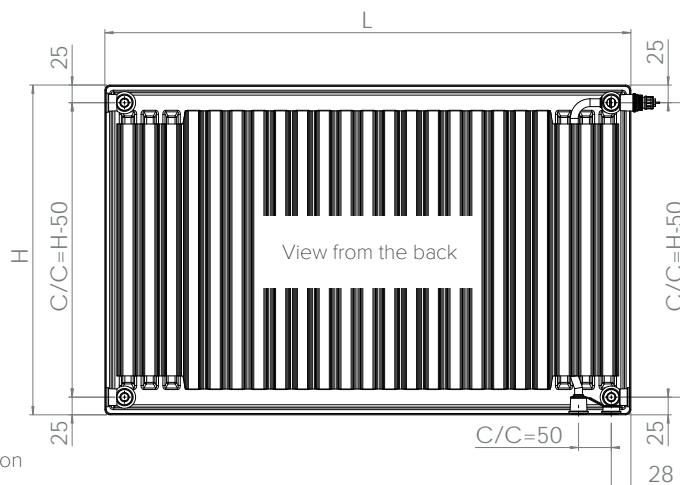
View from the front

H, mm	L in mm
300	
400	400-2000 mm
500	in
600	100 mm
700	increments
900	

Note

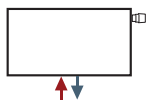
Type 10, 20 and 33 is not possible in this tapping configuration

Drawing 5.2



TAPPING CODE 13 - Tapping possibilities - Center tap RIGHT

Drawing 6.1

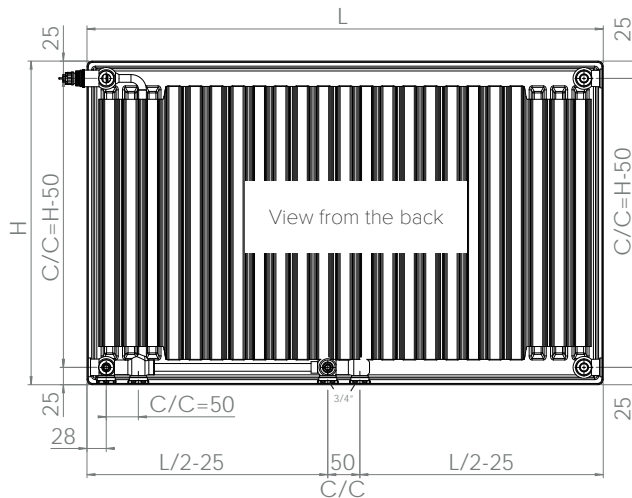


View from the front

H, mm	L in mm
300	
400	400-2000 mm
500	in
600	100 mm
700	increments
900	

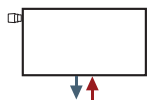
Note

Type 10 and 20 is not possible in this tapping configuration



TAPPING CODE 14 - Tapping possibilities, Center tap LEFT

Drawing 6.2

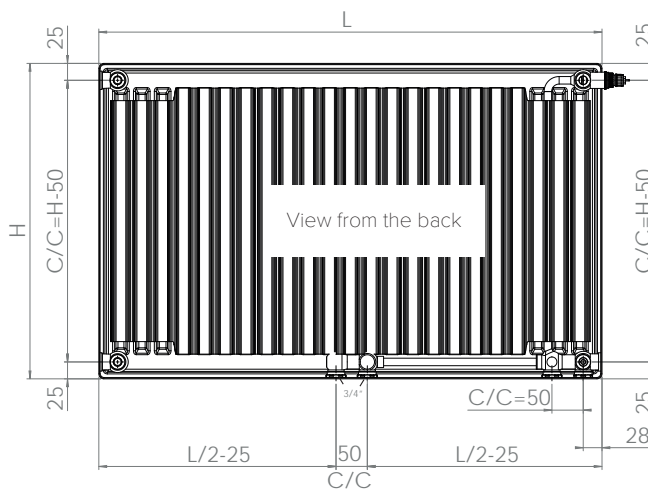


View from the front

H, mm	L in mm
300	
400	400-2000 mm
500	in
600	100 mm
700	increments
900	

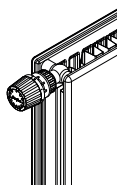
Note

Type 10, 20 and 33 is not possible in this tapping configuration



BUILT-IN VALVES

BUILT-IN VALVE



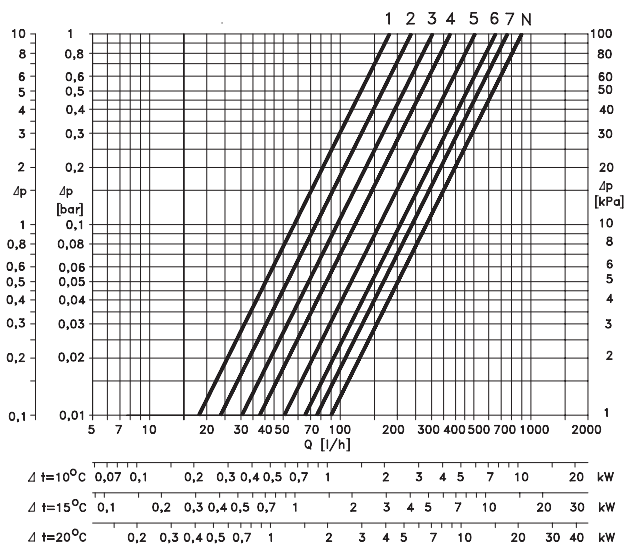
Drawing 71

Application For use where a thermostatic valve is to be integrated within the radiator.

Built-in valve Tapping codes 11 - 14 are fitted with a Danfoss RA-N valve.

Tapping code 11, 12, 13 and 14
Built-in valve

Type	Code no.
RA-N	013G1382



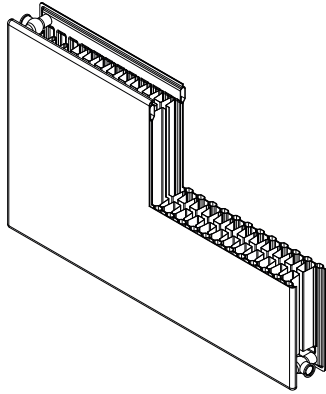
OTHER OPTIONS

OTHER CONNECTIONS

Sometimes a build or location requires something out of the ordinary, so if you need a connection not mentioned in our tapping overview, then please contact our sales office at contact@hudevad.com and we will do our utmost to assist you.

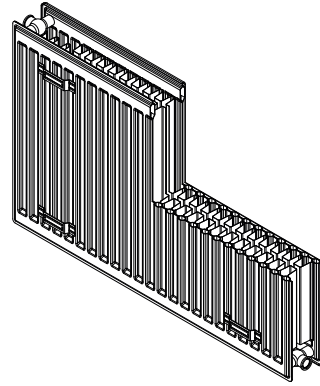
ILLUSTRATIONS

VIEW FROM THE FRONT



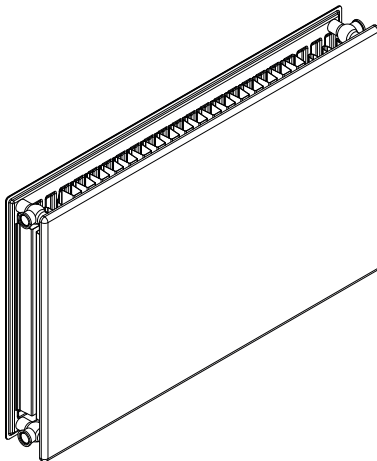
Drawing 8.1

VIEW FROM THE BACK



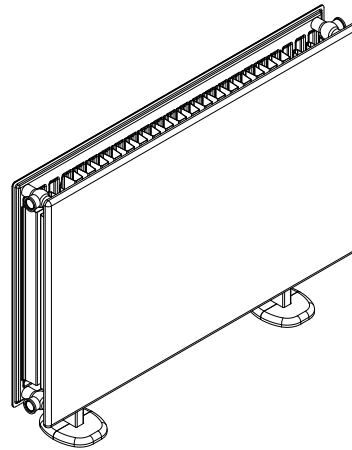
Drawing 8.2

WALL MOUNTED



Drawing 8.3

FLOOR MOUNTED (OPTIONAL)



Drawing 8.4

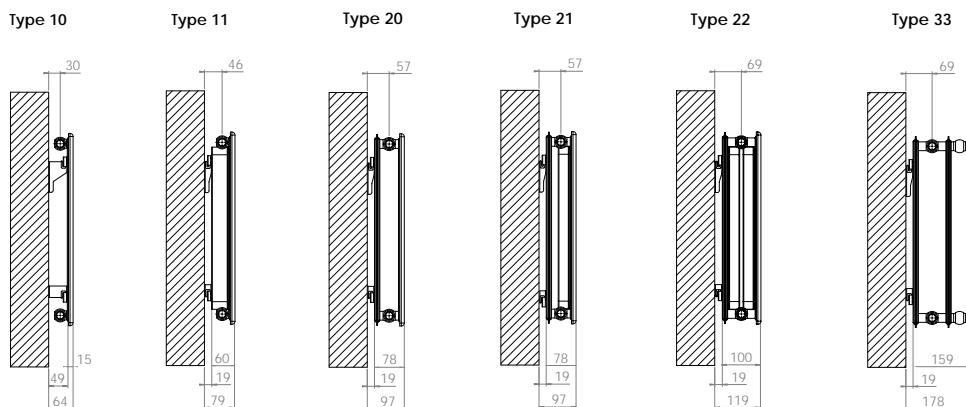
DIMENSIONS

TAPPING CODES WITH MOUNTING STRAPS

10

Are all delivered with Hudevad standard brackets.

Drawing 9.1



TAPPING CODES WITHOUT MOUNTING STRAPS

Drawing 9.2

- 11
- 12
- 13
- 14

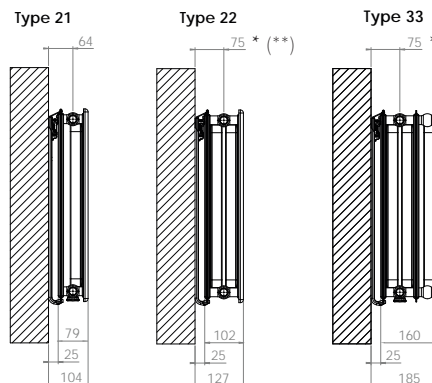
Type 11 is delivered with mounting straps. All others will be delivered with J brackets.

Note

Wall distance for center tapping (tapping code 13 and 14)

*Right-hand version = 65 mm

** Left-hand version = 85 mm (Type 22 only)

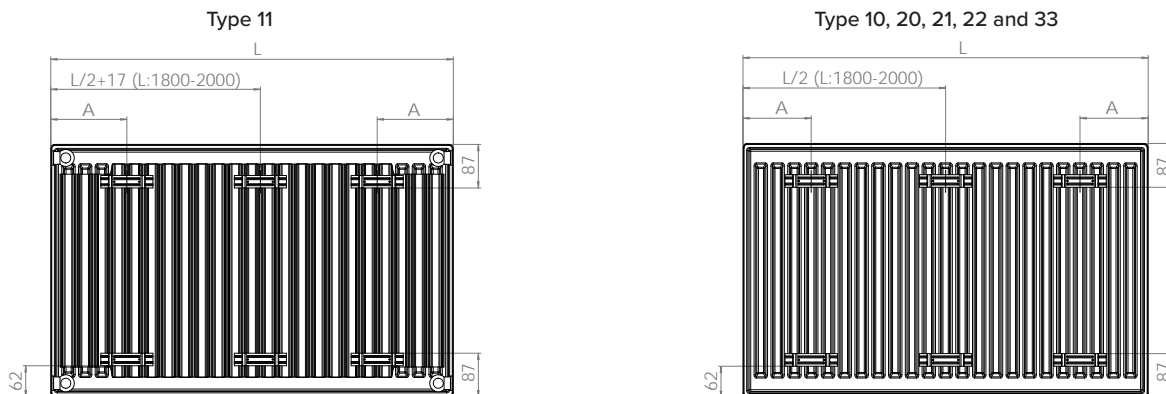


LOCATION OF MOUNTING STRAPS TAPPING CODE 10

L	A
400	119
500-2000	152

L	A
400-2000	135

Drawing 10.1



FLOOR MOUNTED

Adjustable Panel Radiator feet with cover

Suitable for heights 300, 400, 500 and 600 mm.

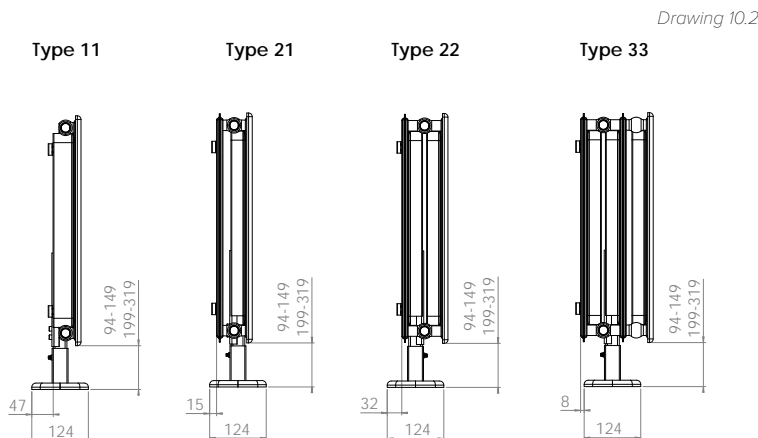
2 pcs. for length 400 – 1800 mm.

3 pcs. for length 1900 – 2000 mm.

Feet must be ordered separately.

Note:

Panel Radiator feet can't be mounted on center tap and type 10 and 20 radiators.



Drawing 10.2

FLOOR MOUNTED

Mounting feet with cover

Suitable for all heights.

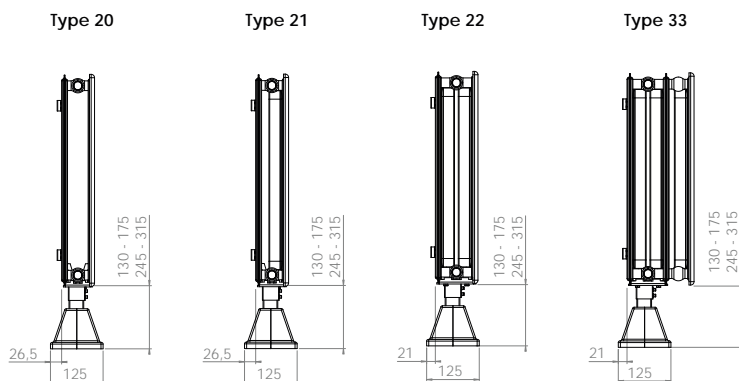
2 pcs. for length 400 – 1800 mm.

3 pcs. for length 1900 – 2000 mm.

Feet must be ordered separately.

Note:

Mounting feet can't be mounted on type 10 and 11 radiators.



Drawing 10.3

OUTPUT

TAPPING CODES 10 - 14

INTEGRAL T10		Output			Water content	Weight
Height, mm	W/metre 75°/65°/20°	W/metre 70°/40°/20°	W/metre 60°/30°/20°	litres/ metre	kg/ metre	
300	307	195	127	1.86	9.9	
400	390	248	162	2.33	13.2	
500	471	301	197	2.80	16.6	
600	550	353	232	3.26	19.9	
700	627	402	264	3.73	23.2	
900	776	498	327	4.65	29.9	

INTEGRAL T11		Output			Water content	Weight
Height, mm	W/metre 75°/65°/20°	W/metre 70°/40°/20°	W/metre 60°/30°/20°	litres/ metre	kg/ metre	
300	469	295	190	1.89	11.9	
400	626	395	256	2.34	16.1	
500	774	490	318	2.80	20.4	
600	911	579	377	3.25	24.7	
700	1038	658	428	3.77	28.9	
900	1260	795	515	4.80	37.4	

INTEGRAL T20		Output			Water content	Weight
Height, mm	W/metre 75°/65°/20°	W/metre 70°/40°/20°	W/metre 60°/30°/20°	litres/ metre	kg/ metre	
300	531	334	216	3.29	14.6	
400	680	427	276	4.49	19.3	
500	820	515	332	5.70	23.9	
600	952	597	384	6.90	28.5	
700	1077	674	433	7.57	33.3	
900	1308	814	520	8.90	43.0	

INTEGRAL T21		Output			Water content	Weight
Height, mm	W/metre 75°/65°/20°	W/metre 70°/40°/20°	W/metre 60°/30°/20°	litres/ metre	kg/ metre	
300	706	442	284	3.70	16.9	
400	889	555	356	4.67	22.9	
500	1062	663	425	5.63	28.9	
600	1227	765	490	6.60	34.9	
700	1387	866	556	7.63	40.9	
900	1690	1058	680	9.70	52.9	

INTEGRAL T22

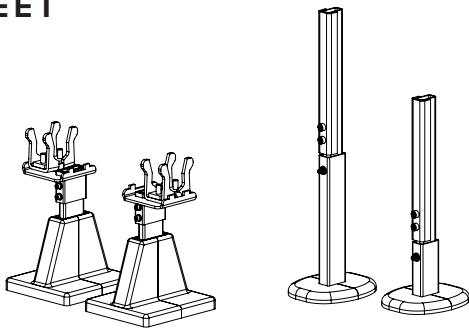
Height, mm	Output			Water content litres/ metre	Weight kg/ metre
	W/metre 75°/65°/20°	W/metre 70°/40°/20°	W/metre 60°/30°/20°		
300	929	585	378	3.70	19.6
400	1177	739	477	4.67	26.4
500	1411	884	568	5.63	33.2
600	1634	1020	654	6.60	40.0
700	1848	1149	734	7.63	46.8
900	2251	1389	880	9.70	60.4

INTEGRAL T33

Height, mm	Output			Water content litres/ metre	Weight kg/ metre
	W/metre 75°/65°/20°	W/metre 70°/40°/20°	W/metre 60°/30°/20°		
300	1346	843	542	5.40	28.0
400	1690	1054	676	6.87	38.1
500	2017	1254	801	8.33	48.3
600	2332	1445	919	9.80	58.4
700	2637	1633	1039	11.37	68.5
900	3225	1996	1270	14.50	88.8

ACCESSORIES

FEET

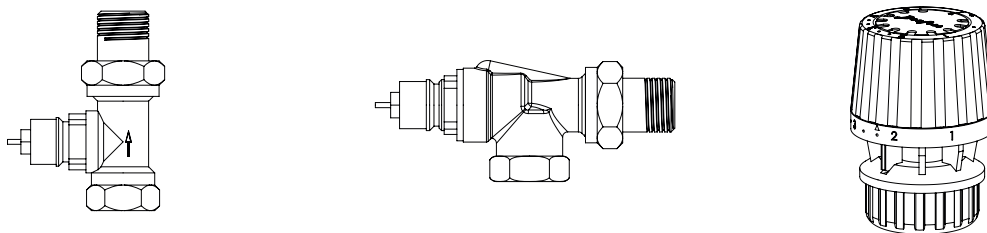


Drawing 12.1

Mounting feet

Panel radiator feet

DANFOSS ACCESSORIES



Drawing 12.2

Hudevad recommends use of Danfoss accessories when fitting the radiator. For further accessories please refer to the Hudevad Pricelist.