

shape



Hudevad Protector



Technical Datasheet

HUDEVAD
shape

Key benefits



Creative design and great functionality

Unique impact surface, ideal for refurbishment of gyms and sports facilities



Sleek but highly durable

Swedish high quality steel



Available in many colours

Easy integration into any architectural scheme

Index

Description.....	4
Illustrations	5
Dimensions.....	6
Output reduction table.....	6
Cleaning	8

Description

The Hudevad Protector is the perfect team player, always there and never in the way.. Challenges like static and lack of space are handled with a winning attitude. The Protector is sleek but extremely robust and is easily integrated into the game. Ideally, Hudevad Protector is combined with a Hudevad Standard (P1 – PK3), resulting in (radiator dependent) heat outputs of 600-3000W/section @ a temperature set of 75°/65° -20°C*.

Material:	Front and upper cover plate: 2 mm steel plate (S235), powder coated in RAL colour to your specification, acc. to DIN 55900
Test pressure:	Radiator dependent
Max operating pressure:	Radiator dependent
Max operating temperatur:	Radiator dependent
Surface treatment:	Pre-treated and primed
Front cover - height:	2000-2800 mm above floor level, additional height for angled top part. Note: Other sizes are available upon request
Depth:	260 mm Note: Other sizes are available upon request
Length per section:	1000 mm with the possibility of customising
Wall brackets:	Steel 5mm galvanized
Tappings:	Please consult the Hudevad Standard datasheet
Options:	Hatch for athletics equipment or other options for front plates with special dimensions are available upon request, please contact Hudevad Radiators.
Installation:	Floor and wall
Note:	Radiators are not included - must be ordered separately
Frame:	Rectangular profile tubes 15/35x15/35x2, powder coated in white RAL 9010. Tested acc. to DIN 18032-3, 1997-04, Test of ball impact (Otto-Graf-Institute, Stuttgart) Note: other colours are available, please consult Hudevad Radiators Colour brochure on www.hudevad.com

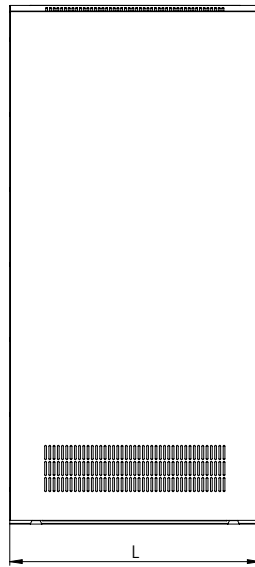
**Please consult the Hudevad Standard datasheet*

Illustrations

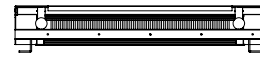
Profile view



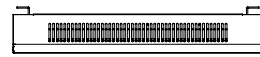
Front view



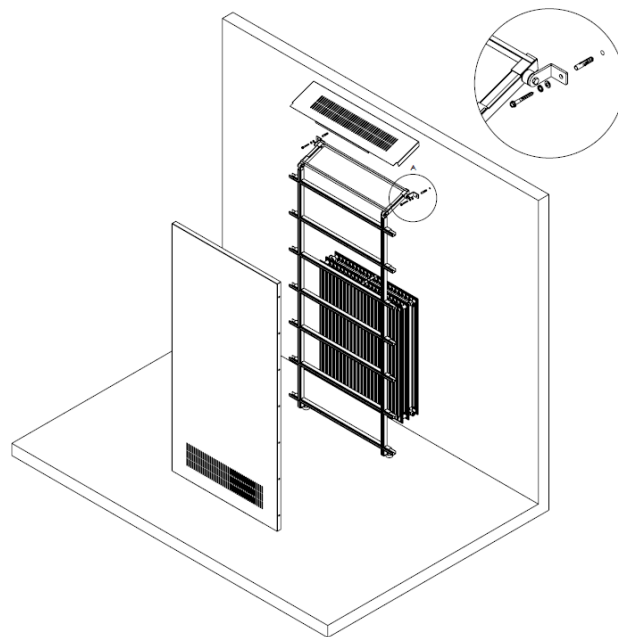
Top view



Bottom view

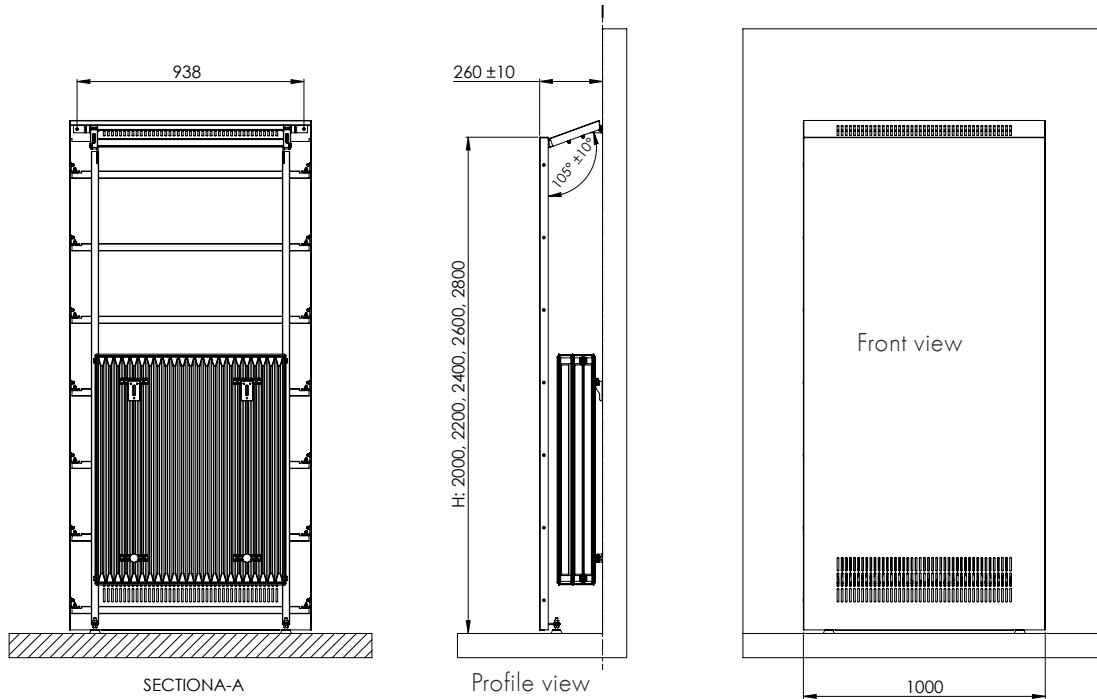


Installation sketch



HUDEVAD
shape

Dimensions



Note: Other sizes are available upon request

Output reduction table

Type 1P/10

Radiator height, mm

255

355

455

555

655

955

Reduction %

3

3

3

4

4

4

Type 1PK/11

Radiator height, mm	Reduction %
255	5
355	5
455	5,5
555	5,5
655	6
955	7

Type PKP/21

Radiator height, mm	Reduction %
255	7
355	7
455	7,5
555	7,5
655	8
955	8

Type 2P/20

Radiator height, mm	Reduction %
255	5
355	5
455	5,5
555	5,5
655	6,5
955	7

Type 2PK/22

Radiator height, mm	Reduction %
255	8
355	8
455	8,5
555	8,5
655	9
955	10

Type 3P/30

Radiator height, mm	Reduction %
255	8
355	8
455	8,5
555	8,5
655	9
955	9,5

Type 3PK/33

Radiator height, mm	Reduction %
255	10
355	10
455	10,5
555	10,5
655	11
955	12

Example:

2 radiators are installed:

Type 3PK/33, H: 955 mm, L: 800 mm Output: 1133 W = 1133 - 12% = 997 W
 Type 3PK/33, H: 355 mm, L: 800 mm Output: 389 W = 389 - 10% = 350 W

Cleaning

In principle the Hudevad Protector does not need any special care. Should it become necessary to clean the surface, please don't use any liquids that are alcohol or oil based, or contain detergents/abrasives. enthalten.

A simple cleaning with warm water is recommended for daily cleaning. After cleaning the surface with water, please make sure to wipe it dry.