

select



Hudevad Dante



Technical datasheet

HUDEVAD
select

Key benefits



**Authentically designed
and manufactured**

Perfect for conservation of
heritage buldings



Extremely robust and durable

Completely tamper-proof



Available in many colours

Easy to integrate into any historical
colour scheme

Index

Description..... 4
Illustration..... 5
Dimensions..... 6
Output 7

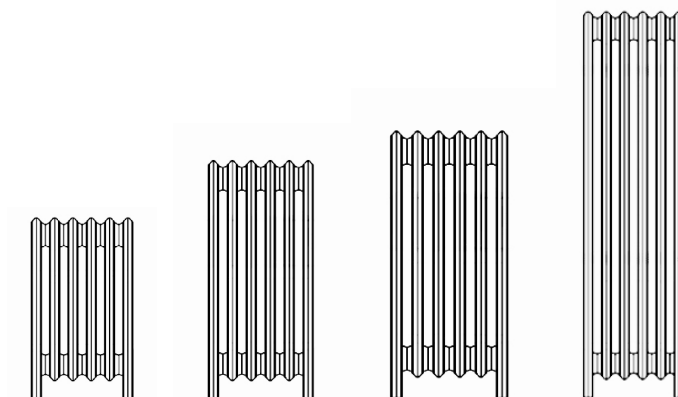
Description

The Hudevad Dante radiator is a classical cast iron radiator in authentic design and make. These radiators are usually floor mounted (with wall ties for stability) for the absolute original look or, as an option, wall mounted for interior design effect. The column radiator has two, four or six columns depth and its design doesn't dominate a room, but rather personalizes it. Hudevad Dante provides stylish alternatives for low window spaces and attic rooms as well as larger, taller radiators required for hallways and large reception rooms.

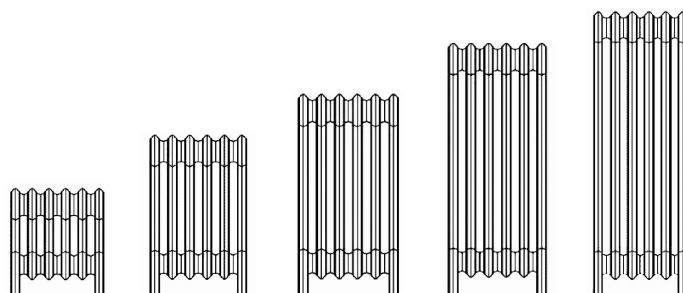
Material	Grey Cast Iron
Test pressure	7.8 bar
Max. operating pressure	6 bar in accordance with EN 442
Max. operating temperature	95°C
Surface treatment	Priming: Water based in Umbra Grey
Length	Increments of 60mm up to 3100mm (50 sections) + 30mm (total) for end bushes. Manufacturing tolerance +/- 2%
Height (inc. feet)	2 Col: 490, 640, 740 & 1040mm 4 Col: 360, 475, 660, 760 & 960mm 6 Col: 485, 660 & 960mm
Depth (at feet)	2 Col: 90mm / 4 Col: 144mm / 6 Col: 221mm
Tappings	1/2" BBOE (Bottom, Bottom, Opposite Ends as standard), option for 3/4". Other connection positions available
Installation	Floor mounted (default) plus Wall Ties (for stability). The ties are available as standard or Luxury engineered versions. Wall mounted on request. Air vent (brass) included.
Colour	Standard colour Natural Cast, with optional gloss degree on request. Option: Painted in RAL, BS, Farrow & Ball or any Heritage colour match.

Illustration

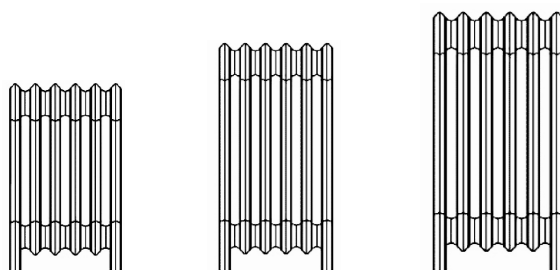
2 columns



4 columns



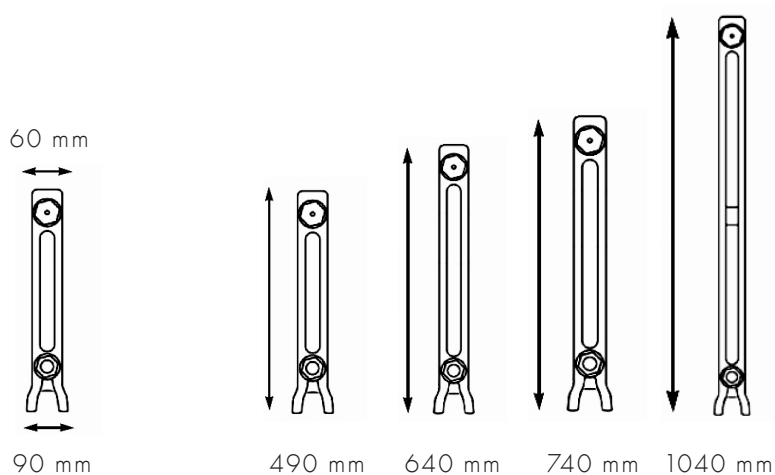
6 columns



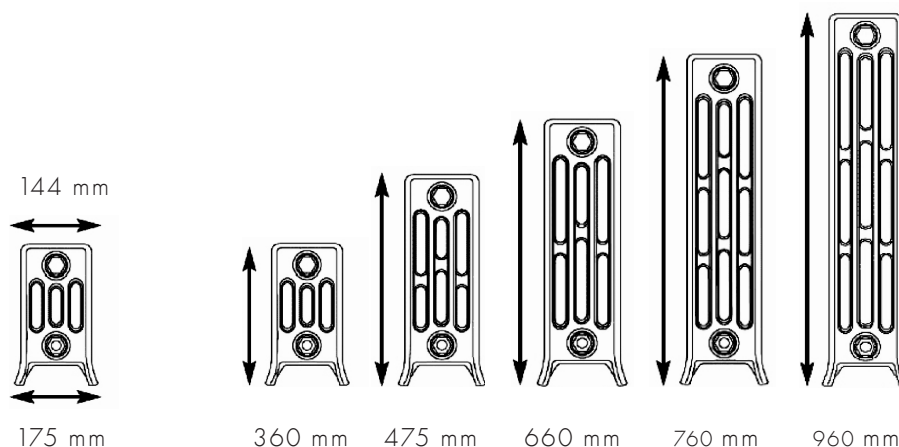
HUDEVAD
select

Dimensions

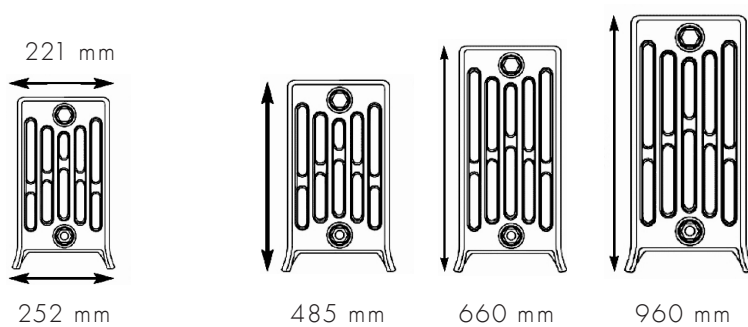
2 columns



4 columns



6 columns



HUDEVAD
select

Output

2 columns - height 490 mm data

Sections	Length (mm)	Output		Weight (kg)	Water content (l)
		75	65 / 20		
3	208	123	420	7.8	1.1
4	269	164	560	10.4	1.4
5	330	205	699	13.0	1.8
6	391	246	839	15.6	2.2
7	452	287	979	18.2	2.5
8	512	328	1119	20.8	2.9
9	573	369	1259	23.4	3.2
10	634	410	1399	26.0	3.6
11	695	451	1539	28.6	4.0
12	756	492	1679	31.2	4.3
13	816	533	1819	33.8	4.7
14	877	574	1958	36.4	5.0
15	938	615	2098	39.0	5.4
16	999	656	2238	41.6	5.8
17	1060	697	2378	44.2	6.1
18	1120	738	2518	46.8	6.5
19	1181	779	2658	49.4	6.8
20	1242	820	2798	52.0	7.2
21	1303	861	2938	54.6	7.6
22	1364	902	3078	57.2	7.9
23	1424	943	3218	59.8	8.3
24	1485	984	3357	62.4	8.6
25	1546	1025	3497	65.0	9.0
26	1607	1066	3637	67.6	9.4
27	1668	1107	3777	70.2	9.7
28	1728	1148	3917	72.8	10.1
29	1789	1189	4057	75.4	10.4
30	1850	1230	4197	78.0	10.8
31	1911	1271	4337	80.6	11.2
32	1972	1312	4477	83.2	11.5
33	2032	1353	4616	85.8	11.9
34	2093	1394	4756	88.4	12.2
35	2154	1435	4896	91.0	12.6
36	2215	1476	5036	93.6	13.0
37	2276	1517	5176	96.2	13.3
38	2336	1558	5316	98.8	13.7
39	2397	1599	5456	101.4	14.0
40	2458	1640	5596	104.0	14.4

Lengths quoted are given in good faith, are overall including bush ends. However, due to the nature of the manufacturing process tolerances can and should be expected. Quoted dimensions should therefore only be used as a guideline.

2 columns - height 640 mm data

Sections	Length (mm)	Output		Weight (kg)	Water content (l)
		Watts	BTU's		
3	208	138	471	10.2	1.4
4	269	184	628	13.6	1.9
5	330	230	785	17.1	2.4
6	391	276	942	20.5	2.9
7	452	322	1099	23.9	3.4
8	512	368	1256	27.3	3.8
9	573	414	1413	30.7	4.3
10	634	460	1570	34.1	4.8
11	695	506	1726	37.5	5.3
12	756	552	1883	40.9	5.8
13	816	598	2040	44.3	6.2
14	877	644	2197	47.7	6.7
15	938	690	2354	51.2	7.2
16	999	736	2511	54.6	7.7
17	1060	782	2668	58.0	8.2
18	1120	828	2825	61.4	8.6
19	1181	874	2982	64.8	9.1
20	1242	920	3139	68.2	9.6
21	1303	966	3296	71.6	10.1
22	1364	1012	3453	75.0	10.6
23	1424	1058	3610	78.4	11.0
24	1485	1104	3767	81.8	11.5
25	1546	1150	3924	85.3	12.0
26	1607	1196	4081	88.7	12.5
27	1668	1242	4238	92.1	13.0
28	1728	1288	4395	95.5	13.4
29	1789	1334	4552	98.9	13.9
30	1850	1380	4709	102.3	14.4
31	1911	1426	4866	105.7	14.9
32	1972	1472	5022	109.1	15.4
33	2032	1518	5179	112.5	15.8
34	2093	1565	5336	115.9	16.3
35	2154	1610	5493	119.4	16.8
36	2215	1656	5650	122.8	17.3
37	2276	1702	5807	126.2	17.8
38	2336	1748	5964	129.6	18.2
39	2397	1794	6121	133.0	18.7
40	2458	1840	6278	136.4	19.2

Lengths quoted are given in good faith, are overall including bush ends. However, due to the nature of the manufacturing process tolerances can and should be expected. Quoted dimensions should therefore only be used as a guideline.

2 columns - height 740 mm data

Sections	Length (mm)	Output		Weight (kg)	Water content (l)
		75 / 65 / 20	Watts		
3	208	186	635	11.5	1.7
4	269	248	846	15.3	2.2
5	330	310	1058	19.1	2.8
6	391	372	1269	22.9	3.4
7	452	434	1481	26.7	3.9
8	512	496	1692	30.6	4.5
9	573	558	1904	34.4	5.0
10	634	620	2115	38.2	5.6
11	695	682	2327	42.0	6.2
12	756	744	2539	45.8	6.7
13	816	806	2750	49.7	7.3
14	877	868	2962	53.5	7.8
15	938	930	3173	57.3	8.4
16	999	992	3385	61.1	9.0
17	1060	7054	3596	64.9	9.5
18	1120	1116	3808	68.8	10.1
19	1181	1178	4019	72.6	10.6
20	1242	1240	4231	76.4	11.2
21	1303	1302	4442	80.2	11.8
22	1364	1364	4654	84.0	12.3
23	1424	1426	4866	87.9	12.9
24	1485	1488	5077	91.7	13.4
25	1546	1550	5289	95.5	14.0
26	1607	1612	5500	99.3	14.6
27	1668	1674	5712	103.1	15.1
28	1728	1736	5923	107.0	15.7
29	1789	1798	6135	110.8	16.2
30	1850	1860	6346	114.6	16.8
31	1911	1922	6558	118.4	17.4
32	1972	1984	6769	122.2	17.9
33	2032	2046	6981	126.1	18.5
34	2093	2108	7192	129.9	19.0
35	2154	2170	7404	133.7	19.6
36	2215	2232	7616	137.5	20.2
37	2276	2294	7827	141.3	20.7
38	2336	2356	8039	145.2	21.3
39	2397	2418	8250	149.0	21.8
40	2458	2480	8462	152.8	22.4

Lengths quoted are given in good faith, are overall including bush ends. However, due to the nature of the manufacturing process tolerances can and should be expected. Quoted dimensions should therefore only be used as a guideline.

2 columns - height 1040 mm data

Sections	Length (mm)	Output		Weight (kg)	Water content (l)
		Watts	BTU's		
3	208	222	757	15.5	2.4
4	269	296	1010	20.6	3.2
5	330	370	1262	25.8	4.0
6	391	444	1515	30.9	4.8
7	452	518	1767	36.1	5.6
8	512	592	2020	41.2	6.4
9	573	666	2272	46.4	7.2
10	634	740	2525	51.5	8.0
11	695	814	2777	56.7	8.8
12	756	888	3030	61.8	9.6
13	816	962	3282	67.0	10.4
14	877	1036	3535	72.1	11.2
15	938	1110	3787	77.3	12.0
16	999	1184	4040	82.4	12.8
17	1060	1258	4292	87.6	13.6
18	1120	1332	4545	92.7	14.4
19	1181	1406	4797	97.9	15.2
20	1242	1480	5050	103.0	16.0
21	1303	1554	5302	108.2	16.8
22	1364	1628	5555	113.3	17.6
23	1424	1702	5807	118.5	18.4
24	1485	1776	6060	123.6	19.2
25	1546	1850	6312	128.8	20.0
26	1607	1924	6565	133.9	20.8
27	1668	1998	6817	139.1	21.6
28	1728	2072	7070	144.2	22.4
29	1789	2146	7322	149.4	23.2
30	1850	2220	7575	154.5	24.0
31	1911	2294	7827	159.7	24.8
32	1972	2368	8080	164.8	25.6
33	2032	2442	8332	170.0	26.4
34	2093	2516	8585	175.1	27.2
35	2154	2590	8837	180.3	28.0
36	2215	2664	9090	185.4	28.8
37	2276	2738	9342	190.6	29.6
38	2336	2812	9595	195.7	30.4
39	2397	2886	9847	200.9	31.2
40	2458	2960	10100	206.0	32.0

Lengths quoted are given in good faith, are overall including bush ends. However, due to the nature of the manufacturing process tolerances can and should be expected. Quoted dimensions should therefore only be used as a guideline.

4 columns - height 360 mm data

Sections	Length (mm)	Output		Weight (kg)	Water content (l)
		Watts	BTU's		
3	208	129	440	10.3	1.1
4	269	172	587	13.8	1.4
5	330	215	734	17.2	1.8
6	391	258	880	20.6	2.1
7	452	301	1027	24.1	2.5
8	512	344	1174	27.5	2.8
9	573	387	1320	31.0	3.2
10	634	430	1467	34.4	3.5
11	695	473	1614	37.8	3.9
12	756	516	1761	41.3	4.2
13	816	559	1907	44.7	4.6
14	877	602	2054	48.2	4.9
15	938	645	2201	51.6	5.3
16	999	688	2347	55.0	5.3
17	1060	731	2494	58.5	6.0
18	1120	774	2641	61.9	6.3
19	1181	817	2788	65.4	6.7
20	1242	860	2934	68.8	7.0
21	1303	903	3081	72.2	7.4
22	1364	946	3228	75.7	7.7
23	1424	989	3374	79.1	8.1
24	1485	1032	3521	82.6	8.4
25	1546	1075	3668	86.0	8.8
26	1607	1118	3815	89.4	9.1
27	1668	1161	3951	92.9	9.5
28	1728	1204	4108	96.3	9.8
29	1789	1247	4255	99.8	10.2
30	1850	1290	4401	103.2	10.5
31	1911	1333	4548	106.6	10.9
32	1972	1376	4695	110.1	11.2
33	2032	1419	4842	113.5	11.6
34	2093	1462	4988	117.0	11.9
35	2154	1505	5135	120.4	12.3
36	2215	1548	5282	123.8	12.6
37	2276	1591	5428	127.3	13.0
38	2336	1634	5575	130.7	13.3
39	2397	1677	5722	134.2	13.7
40	2458	1720	5869	137.6	14.0

Lengths quoted are given in good faith, are overall including bush ends. However, due to the nature of the manufacturing process tolerances can and should be expected. Quoted dimensions should therefore only be used as a guideline.

4 columns - height 475 mm data

Sections	Length (mm)	Output		Weight (kg)	Water content (l)
		Watts	BTU's		
3	208	195	665	12.6	1.5
4	269	260	887	16.8	2.0
5	330	325	1109	21.0	2.6
6	391	390	1331	25.1	3.1
7	452	455	1552	29.3	3.6
8	512	520	1774	33.5	4.1
9	573	585	1996	37.7	4.6
10	634	650	2218	41.9	5.1
11	695	715	2440	46.1	5.6
12	756	780	2661	50.3	6.1
13	816	845	2883	54.5	6.6
14	877	910	3105	58.7	7.1
15	938	975	3327	62.9	7.7
16	999	1040	3548	67.0	8.2
17	1060	1105	3770	71.2	8.7
18	1120	1170	3992	75.4	9.2
19	1181	1235	4214	79.6	9.7
20	1242	1300	4436	83.8	10.2
21	1303	1365	4657	88.0	10.7
22	1364	1430	4879	92.2	11.2
23	1424	1495	5101	96.4	11.7
24	1485	1560	5323	100.6	12.2
25	1546	1625	5545	104.8	12.8
26	1607	1690	5766	108.9	13.3
27	1668	1755	5988	113.1	13.8
28	1728	1820	6210	117.3	14.3
29	1789	1885	6432	121.5	14.8
30	1850	1950	6653	125.7	15.3
31	1911	2015	6875	129.9	15.8
32	1972	2080	7097	134.1	16.3
33	2032	2145	7319	138.3	16.8
34	2093	2210	7541	142.5	17.3
35	2154	2275	7762	146.7	17.9
36	2215	2340	7984	150.8	18.4
37	2276	2405	8206	155.0	18.9
38	2336	2470	8428	159.2	19.4
39	2397	2535	8649	163.4	19.9
40	2458	2600	8871	167.6	20.4

Lengths quoted are given in good faith, are overall including bush ends. However, due to the nature of the manufacturing process tolerances can and should be expected. Quoted dimensions should therefore only be used as a guideline.

4 columns - height 660 mm data

Sections	Length (mm)	Output		Weight (kg)	Water content (l)
		Watts	BTU's		
3	208	279	952	16.7	2.6
4	269	372	1269	22.2	3.4
5	330	465	1587	27.8	4.3
6	391	885	1904	33.3	5.1
7	452	651	2221	38.9	6.0
8	512	744	2539	44.4	6.8
9	573	837	2856	50.0	7.7
10	634	930	3173	55.5	8.5
11	695	1023	3490	61.1	9.4
12	756	1116	3808	66.6	10.2
13	816	1209	4125	72.2	11.1
14	877	1302	4442	77.7	11.9
15	938	1395	4760	83.3	12.8
16	999	1488	5077	88.8	13.6
17	1060	1581	5394	94.4	14.5
18	1120	1674	5712	99.9	15.3
19	1181	1767	6029	105.5	16.2
20	1242	1860	6346	111.0	17.0
21	1303	1953	6664	116.6	17.9
22	1364	2046	6981	122.1	18.7
23	1424	2139	7298	127.7	19.6
24	1485	2232	7616	133.2	20.4
25	1546	2325	7933	138.8	21.3
26	1607	2418	8250	144.3	22.1
27	1668	2511	8568	149.9	23.0
28	1728	2604	8885	155.4	23.8
29	1789	2697	9202	161.0	24.7
30	1850	2790	9519	166.5	25.5
31	1911	2883	9837	172.1	26.4
32	1972	2976	10154	177.6	27.2
33	2032	3069	10471	183.2	28.1
34	2093	3162	10789	188.7	28.9
35	2154	3255	11106	194.3	29.8
36	2215	3348	11423	199.8	30.6
37	2276	3441	11741	205.4	31.5
38	2336	3534	12058	210.9	32.3
39	2397	3627	12375	216.5	33.2
40	2458	3720	12693	222.0	34.0

Lengths quoted are given in good faith, are overall including bush ends. However, due to the nature of the manufacturing process tolerances can and should be expected. Quoted dimensions should therefore only be used as a guideline.

4 columns - height 760 mm data

Sections	Length (mm)	Output		Weight (kg)	Water content (l)
		Watts	BTU's		
3	208	324	1105	18.7	2.9
4	269	432	1474	24.9	3.9
5	330	540	1842	31.1	4.9
6	391	648	2211	37.3	5.8
7	452	756	2579	43.5	6.8
8	512	864	2948	49.8	7.8
9	573	972	3316	56.0	8.7
10	634	1080	3685	62.2	9.7
11	695	1188	4053	68.4	10.7
12	756	1296	4422	74.6	11.6
13	816	1404	4790	80.9	12.6
14	877	1512	5159	87.1	13.6
15	938	1620	5527	93.3	14.6
16	999	1728	5896	99.5	15.5
17	1060	1836	6264	105.7	16.5
18	1120	1944	6633	112.0	17.5
19	1181	2052	7001	118.2	18.4
20	1242	2160	7370	124.4	19.4
21	1303	2268	7738	130.6	20.4
22	1364	2376	8107	136.8	21.3
23	1424	2484	8475	143.1	22.3
24	1485	2592	8844	149.3	23.3
25	1546	2700	9212	155.5	24.3
26	1607	2808	9581	161.7	25.2
27	1668	2916	9949	167.9	26.2
28	1728	3024	10318	174.2	27.2
29	1789	3132	10686	180.4	28.1
30	1850	3240	11055	186.6	29.1
31	1911	3348	11423	192.8	30.1
32	1972	3456	11792	199.0	31.0
33	2032	3564	12160	205.3	32.0
34	2093	3672	12529	211.5	33.0
35	2154	3780	12897	217.7	34.0
36	2215	3888	13266	223.9	34.9
37	2276	3996	13634	230.1	35.9
38	2336	4104	14003	236.4	36.9
39	2397	4212	14371	242.6	37.8
40	2458	4320	14740	248.8	38.8

Lengths quoted are given in good faith, are overall including bush ends. However, due to the nature of the manufacturing process tolerances can and should be expected. Quoted dimensions should therefore only be used as a guideline.

4 columns - height 960 mm data

Sections	Length (mm)	Output		Weight (kg)	Water content (l)
		Watts	BTU's		
3	208	417	1423	23.6	3.3
4	269	556	1897	31.4	4.4
5	330	695	2371	39.3	5.5
6	391	834	2846	47.1	6.6
7	452	973	3320	55.0	7.7
8	512	1112	3794	62.8	8.8
9	573	1251	4268	70.7	9.9
10	634	1390	4743	78.5	11.0
11	695	1529	5217	86.4	12.1
12	756	1668	5691	94.2	13.2
13	816	1807	6165	102.1	14.3
14	877	1946	664	109.9	15.4
15	938	2085	7114	117.8	16.5
16	999	2224	7588	125.6	17.6
17	1060	2363	8063	133.5	18.7
18	1120	2502	8537	141.3	19.8
19	1181	2641	9011	149.2	20.9
20	1242	2780	9485	157.0	22.0
21	1303	2919	9960	164.9	23.1
22	1364	3058	10434	172.7	24.2
23	1424	3197	10908	180.6	25.3
24	1485	3336	11382	188.4	26.4
25	1546	3475	11857	196.3	27.5
26	1607	3614	12331	204.1	28.6
27	1668	3753	12805	212.0	29.7
28	1728	3892	13280	219.8	30.8
29	1789	4031	13754	227.7	31.9
30	1850	4170	14228	235.5	33.0
31	1911	4309	14702	243.4	34.1
32	1972	4448	15177	251.2	35.2
33	2032	4587	15651	259.1	36.3
34	2093	4726	16125	266.9	37.4
35	2154	4865	16599	274.8	35.8
36	2215	5004	17074	282.6	39.6
37	2276	5143	17548	290.5	40.7
38	2336	5282	18022	298.3	41.8
39	2397	5421	18496	306.2	42.9
40	2458	5560	18971	314.0	44.0

Lengths quoted are given in good faith, are overall including bush ends. However, due to the nature of the manufacturing process tolerances can and should be expected. Quoted dimensions should therefore only be used as a guideline.

6 columns - height 485 mm data

Sections	Length (mm)	Output		Weight (kg)	Water content (l)
		Watts	BTU's		
3	208	285	972	25.1	3.6
4	269	380	1297	33.4	4.8
5	330	475	1621	41.8	6.0
6	391	570	1945	50.1	7.2
7	452	665	2269	58.5	8.4
8	512	760	2593	66.8	9.6
9	573	855	2917	75.2	10.8
10	634	950	3241	83.5	12.0
11	695	1045	3566	91.9	13.2
12	756	1140	3890	100.2	14.4
13	816	1235	4214	108.6	15.6
14	877	1330	4538	116.9	16.8
15	938	1425	4862	125.3	18.0
16	999	1520	4186	133.6	19.2
17	1060	1615	5510	142.0	20.4
18	1120	1710	5835	150.3	21.6
19	1181	1805	6159	158.7	22.8
20	1242	1900	6483	167.0	24.0
21	1303	1995	6807	175.4	25.2
22	1364	2090	7131	183.7	26.4
23	1424	2185	7455	192.1	27.6
24	1485	2280	7779	200.4	28.8
25	1546	2375	8104	208.8	30.0
26	1607	2470	8428	217.1	31.2
27	1668	2565	8752	225.5	32.4
28	1728	2660	9076	233.8	33.6
29	1789	2755	9400	242.2	34.8
30	1850	2850	9724	250.5	36.0
31	1911	2945	10048	258.9	37.2
32	1972	3040	10372	267.2	38.4
33	2032	3135	10697	275.6	39.6
34	2093	3230	11021	283.9	40.8
35	2154	3325	11345	292.3	42.0
36	2215	3420	11669	300.6	43.2
37	2276	3515	11993	309.0	44.4
38	2336	3610	12317	317.3	45.6
39	2397	3705	12641	325.7	46.8
40	2458	3800	12966	334.0	48.0

Lengths quoted are given in good faith, are overall including bush ends. However, due to the nature of the manufacturing process tolerances can and should be expected. Quoted dimensions should therefore only be used as a guideline.

6 columns - height 660 mm data

Sections	Length (mm)	Output		Weight (kg)	Water content (l)
		Watts	BTU's		
3	208	399	1361	28.8	4.2
4	269	532	1815	38.4	5.6
5	330	665	2269	48.0	7.0
6	391	798	2723	57.5	8.4
7	452	931	3177	67.1	9.8
8	512	1064	3630	76.7	11.2
9	573	1197	4084	86.3	12.6
10	634	1330	4538	95.9	14.0
11	695	1463	4992	105.5	15.4
12	756	1596	5446	115.1	16.8
13	816	1729	5899	124.7	18.2
14	877	1862	6353	134.3	19.6
15	938	1995	6807	143.9	21.0
16	999	2128	7261	153.4	22.4
17	1060	2261	7715	163.0	23.8
18	1120	2394	8168	172.6	25.2
19	1181	2527	8622	182.2	26.6
20	1242	2660	9076	191.8	28.0
21	1303	2793	9530	201.4	29.4
22	1364	2926	9984	211.0	30.8
23	1424	3059	10437	220.6	32.2
24	1485	3192	10891	230.2	33.6
25	1546	3325	11345	239.8	35.0
26	1607	3458	11799	249.3	36.4
27	1668	3591	12252	258.5	37.8
28	1728	3724	12706	268.5	39.2
29	1789	3857	13160	278.1	40.6
30	1850	3990	13614	287.7	42.0
31	1911	4123	14068	297.3	43.4
32	1972	4256	14521	306.9	44.8
33	2032	4389	14975	316.5	46.2
34	2093	4522	15429	326.1	47.6
35	2154	4655	15883	335.7	49.0
36	2215	4788	16337	345.2	50.4
37	2276	4921	16790	354.8	51.8
38	2336	5054	17244	364.4	53.2
39	2397	5187	17698	384.0	54.6
40	2458	5320	18152	383.6	56.0

Lengths quoted are given in good faith, are overall including bush ends. However, due to the nature of the manufacturing process tolerances can and should be expected. Quoted dimensions should therefore only be used as a guideline.

6 columns - height 960 mm data

Sections	Length (mm)	Output		Weight (kg)	Water content (l)
		Watts	BTU's		
3	208	591	2016	36.8	4.8
4	269	788	2689	49.1	6.4
5	330	985	3361	61.4	8.0
6	391	1182	4033	73.7	9.6
7	452	1379	4705	86.0	11.2
8	512	1576	5377	98.2	12.8
9	573	1773	6049	110.5	14.4
10	634	1970	6722	122.8	16.0
11	695	2167	7394	135.1	17.6
12	756	2364	8066	147.4	19.2
13	816	2561	8738	159.6	20.8
14	877	2758	9410	171.9	22.4
15	938	2955	10082	184.2	24.0
16	999	3152	10755	169.5	25.6
17	1060	3349	11427	208.8	27.2
18	1120	3546	12099	221.0	28.8
19	1181	3743	12711	233.3	30.4
20	1242	3940	13443	245.6	32.0
21	1303	4137	14115	257.9	33.6
22	1364	4334	14788	270.2	35.2
23	1424	4531	15460	282.4	36.8
24	1485	4728	16132	294.7	38.4
25	1546	4925	16804	307.0	40.0
26	1607	5122	17476	319.3	41.6
27	1668	5319	18148	331.6	43.2
28	1728	5516	18821	343.8	44.8
29	1789	5713	19493	356.1	46.4
30	1850	5910	20165	368.4	48.0
31	1911	6107	20837	380.7	49.6
32	1972	6304	21509	393.0	51.2
33	2032	6501	22181	405.2	52.8
34	2093	6698	22854	417.5	54.4
35	2154	6895	23526	429.8	56.0
36	2215	7092	24198	442.1	57.6
37	2276	7289	24870	454.4	59.2
38	2336	7486	25542	466.6	60.8
39	2397	7683	26214	478.9	62.4
40	2458	7880	26887	491.2	64.0

Lengths quoted are given in good faith, are overall including bush ends. However, due to the nature of the manufacturing process tolerances can and should be expected. Quoted dimensions should therefore only be used as a guideline.