

shape



Hudevad Consilio



Technical datasheet

HUDEVAD
shape

Key benefits



Swedish steel - Danish wood

Made of Swedish high-quality steel making it highly robust and durable



Multi-purposed as bench

Saves space as radiator is both heat emitter and furniture



Available in many colour options

Easy to integrate into any interior design colour scheme

Index

Description..... 04
Illustration..... 05
Dimensions..... 05
Output 06
Cleaning and maintenance 06
Tappings 06

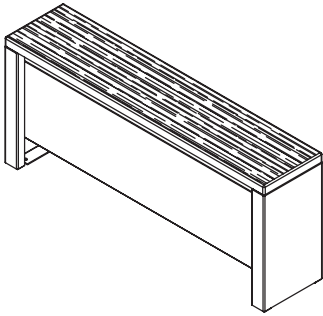
Description

Imagine if a radiator was not simply a radiator but also an attractive piece of furniture. Consilio is also the Latin word for "deliberate" or "intentional". Consilio also evokes an association with the English word "conceal". For these two reasons, Consilio is an appropriate name for a radiator where the pipes and valves are concealed and is more a piece of furniture than a radiator.

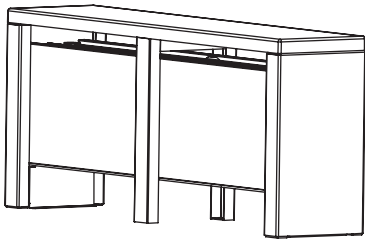
Material (radiator)	Steel plates EN 10051, EN 10130, DIN 2395 Side panels in 3 mm heavy steel
Panels	1.25 mm
Front plate	1.25 mm steel plate
Test pressure	13 bar
Max. operating pressure	10 bar
Max operating temperature	95°C
Surface treatment (radiator)	Pre-treatment: Degreasing, washing, and passivation Priming: Primed with water based paint in pale grey In accordance to DIN 55900, EN 442
Weight	Max 127 kg for length 4010 cm
Length	810-4010 mm: 810-2010 mm, with sections in increments of 100 mm 2010-4010 mm, with sections in increments of 500 mm
Height	426 mm
Depth	228 mm
Tappings	1/2" EF, air vent is located beneath the bench top
Optional extras	Electrical socket integrated in side panel
Installation	Floor mounted The valve must be fitted at the base of the radiator above the floor level
Colour	Powder coated in grey RAL 7022, Gloss 70 Option: Other colours available. Please refer to Hudevad colour brochure at www.hudevad.com
Bench top	Lacquered, oven-dried, solid beech in long blocks Other wood finishes available (additional charge) 30 mm thickness
NBI	Radiator sensor head, installation screws, raw/plugs and fittings are not part of our scope of delivery

Illustration

3D view showing model up to length 1410 mm



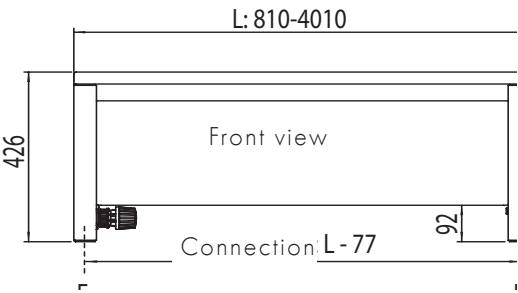
3D view showing model with additional support feet at lengths above 1410mm



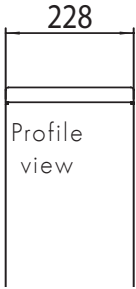
No. of additional support feet	Length, mm
1	1410-2010 and 2510
2	3010 and 3510
3	4010

Dimensions

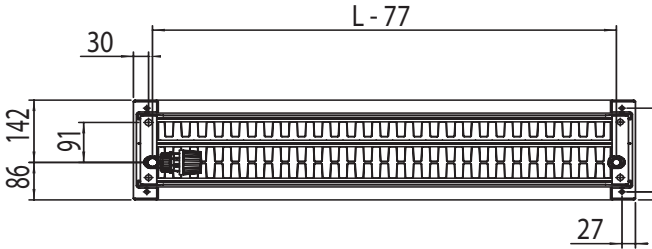
Height and length



Depth



Bottom view



HUDEVAD
shape

Output

Type	Output			Water content litres/m	Weight kg/m
	W/m 75°/65°/20°	W/m 55°/45°/20°	W/m 90°/70°/20°		
Consilio	1054	589	1285	3.8	30.8

Cleaning and maintenance

The bench top is made of oven-dried solid wood blocks glued together and coated with slow-curing varnish. As wood is a natural material, there will be some natural variations in colour, grain structure, dimensions and pattern between bench tops and between the various wood types. Light wood types such as beech will darken in time, becoming more uniform in colour. On the other hand, dark wood types such as mahogany may become slightly lighter. This is quite natural as wood is a living material.

Basically, the bench top requires no special care. Should it be necessary to clean the surface, never use cleaning agents which contain spirit/alcohol-based solvents, oil-based solvents or abrasive cleansers.

A weak detergent in warm water is recommended for everyday cleaning. After cleaning, dry the surface thoroughly with a dry cloth.

Tappings

