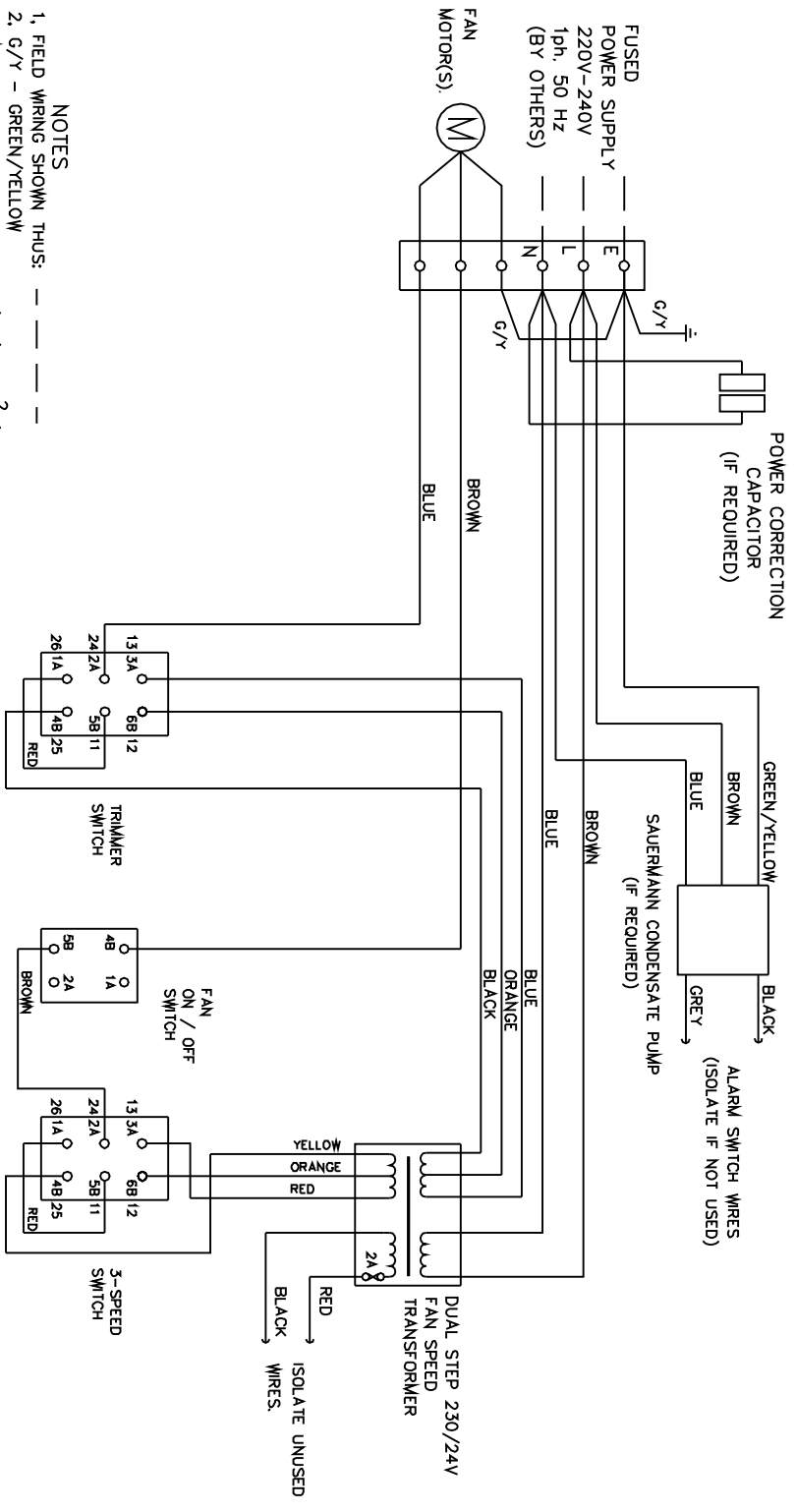


DO NOT SCALE

IF IN DOUBT ASK

© COPYRIGHT RESERVED ET ENVIRONMENTAL LTD.



REV.	MOD. NO.	DATE	DRN	CHKD	DRAWING TO B.S. 308:PARTS 1,2 AND 3.		SCALE	DRAWN	ANR	DIFFUSION ENVIRONMENTAL LTD 47 Central Avenue, West Molesey, Surrey, KT8 2OZ Telephone 020-8783-0033, Fax 020-8783-0140		
4	EGR. 3366	24/08/07	RH	SPH	WELDING TERMS AND SYMBOLS TO B.S. 499:PART 2.		MATL	DATE	08-11-02	CHECKED	MR	
					GEOMETRIC TOLERANCE SYMBOLS CHARACTERISTICS SYMBOLS SMOOTHNESS FINISHNESS ROUNDNESS CYLINDRICITY PROFILE OF A LINE PROFILE OF A SURFACE PORULALISM			ALL DIMENSIONS IN MM THIRD ANGLE PROJECTION TOLERANCES UNLESS OTHERWISE STATED DIMENSIONAL ±0.5 ANGULAR ±1°			TITLE WIRING DIAGRAM, 3-SPEED, TRIMMER & ON / OFF SWITCHES	
3	EGR 3270	22/03/06	AMC	CDS			FINISH	APP'D	MR	DATE	08-11-02	
2	EGR 3261	28/02/06	AMC	CDS								
1	REO 3040	08-11-02	ANR	MR				DATE	08-11-02	DRG. NO.	A3/14539	