

DO NOT SCALE

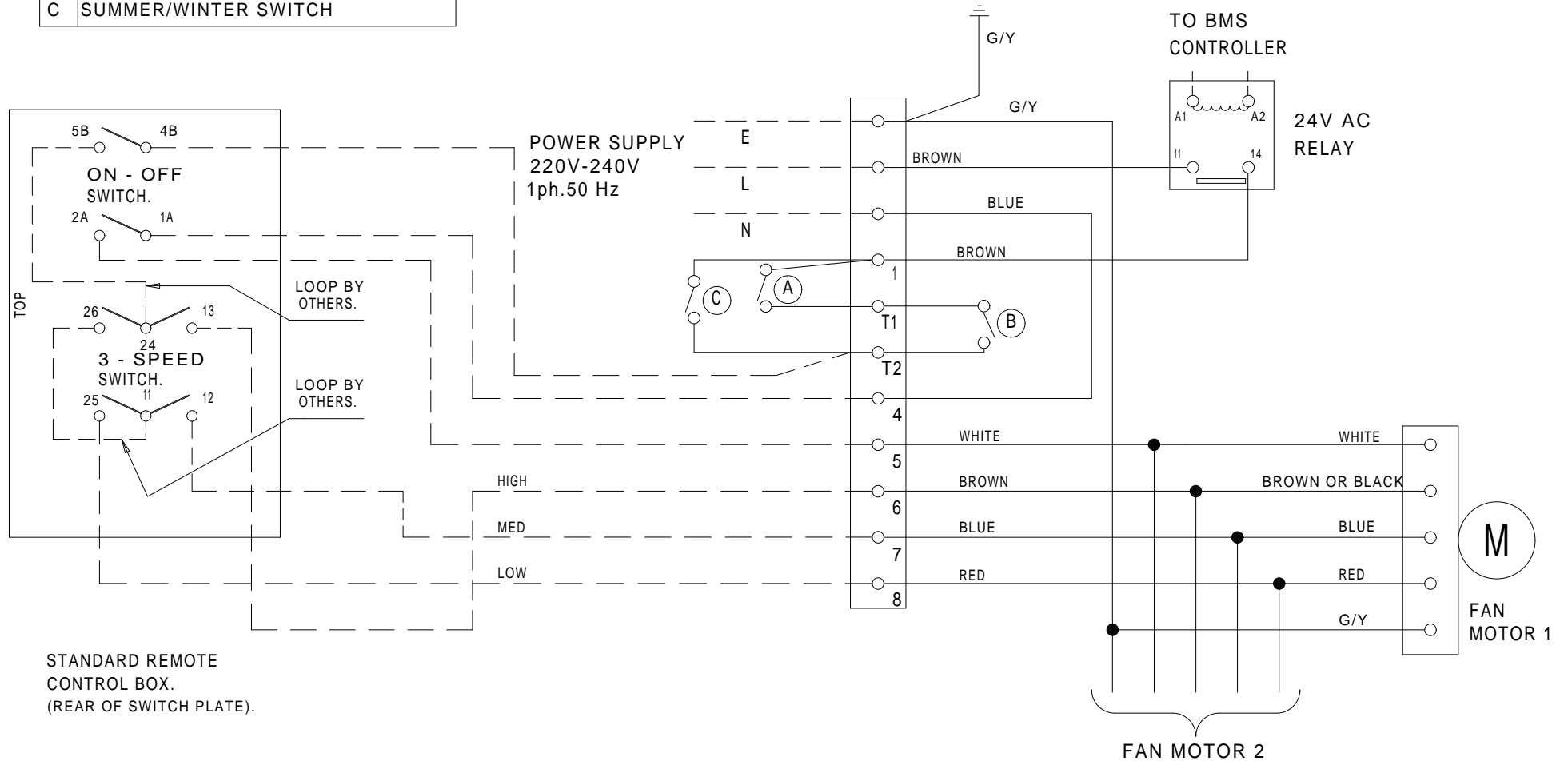
IF IN DOUBT ASK

© COPYRIGHT RESERVED ET ENVIRONMENTAL LTD.

OPTIONAL CONTROLS	
A	LOW WATER TEMPERATURE CUTOUT
B	ROOM THERMOSTAT
C	SUMMER/WINTER SWITCH

NOTES

- 1, FIELD WIRING SHOWN THUS : - - - - -
- 2, WIRES TO BS.4808 COPPER 24/0,2(0,75²mm)
- 3, G/Y = GREEN/YELLOW



REV.	MOD.NO.	DATE	DRN	CHKD	DRAWING TO B.S. 308:PARTS 1,2 AND 3.				SCALE	DRAWN	ANR	DIFFUSION ENVIRONMENTAL LTD	
3	ECR 1820	17-12-98	ANR	CDS	WELDING TERMS AND SYMBOLS TO B.S. 499:PART 2.				MAT'L	DATE	10-11-97	47 Central Avenue, West Molesey, Surrey, KT8 2QZ Telephone 020 8783-0033. Fax 020 8783-0140	
MODIFICATION					GEOMETRIC TOLERANCE SYMBOLS				ALL DIMENSIONS IN MM THIRD ANGLE PROJECTION	CHECKED	CDS	TITLE SAVANNA LPHW STANDARD CONTROLS	
					CHARACTERISTIC	SYM	CHARACTERISTIC	SYM					
2	ECR 1752	25-8-98	ANR	MW	Straightness	—	Angularity	∠	FINISH	APP'D	JOB	DRG.NO. A3/7758	
1	REQ 1255	10-11-97	ANR	CDS	Flatness	∇	Run out	↗					
					Roundness	○	Position	⊕					
					Cylindricity	∕○	Concentricity	⊙					
					Profile of a line	∩	Symmetry	≡					
					Profile of a surface	∩	M.M.C.	Ⓜ					
					Parallelism	∥	Squareness	⊥					
					TOLERANCES UNLESS OTHERWISE STATED								
					DIMENSIONAL ± 0,5								
					ANGULAR ± 1°								