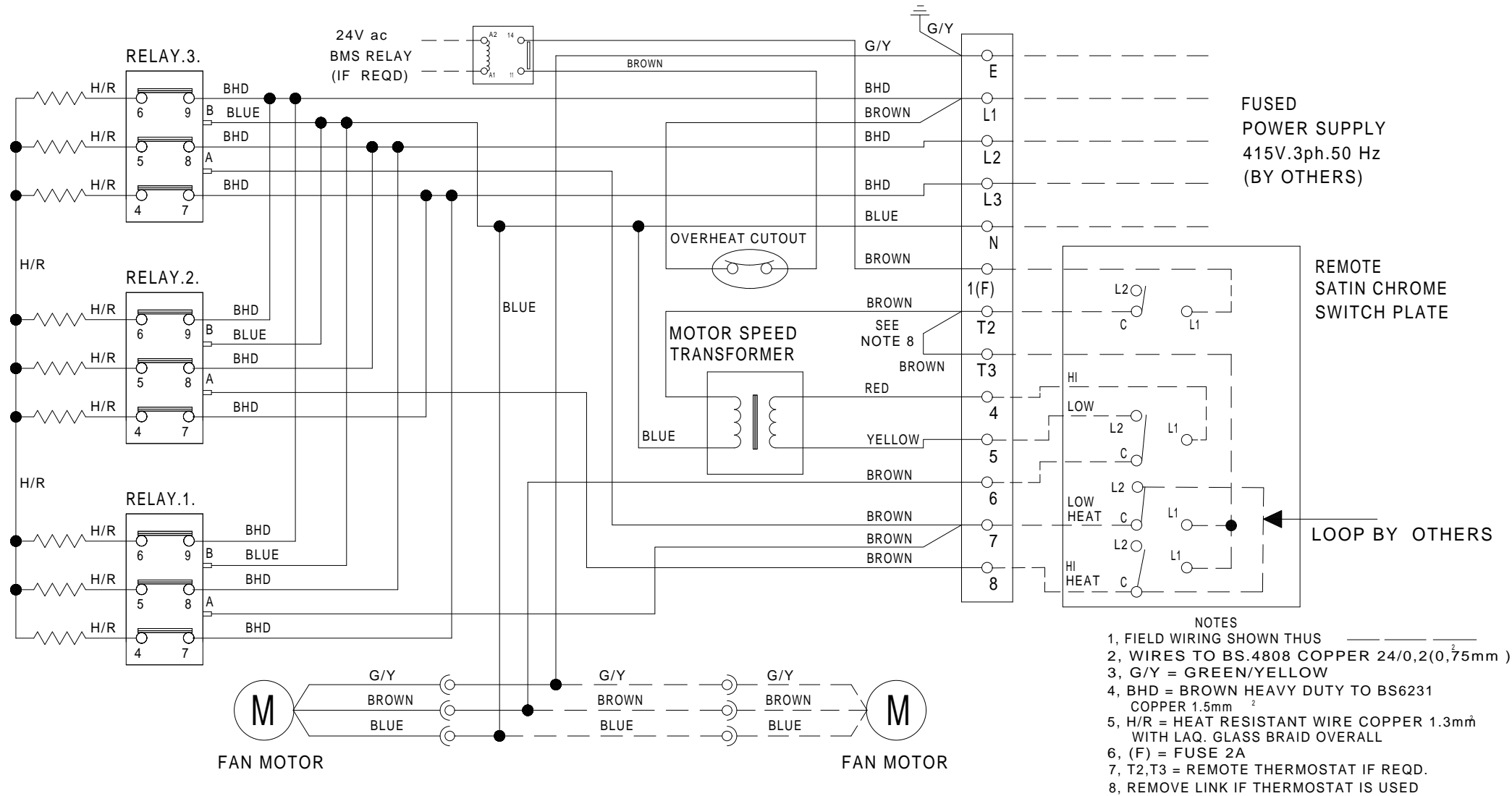


DO NOT SCALE

IF IN DOUBT ASK

© COPYRIGHT RESERVED ET ENVIRONMENTAL LTD.



REV.	MOD.NO.	DATE	DRN	CHKD	DRAWING TO B.S. 308:PARTS 1,2 AND 3.	SCALE	DRAWN	MR	DIFFUSION ENVIRONMENTAL LTD																																					
4	DCR. 1720	18-07-12	DD	CDS	WELDING TERMS AND SYMBOLS TO B.S. 499:PART 2.	MAT'L	DATE	7/12/04	47 Central Avenue, West Molesey, Surrey, KT8 2QZ Telephone 020 8783-0033. Fax 020 8783-0140																																					
MODIFICATION					<table border="1"> <thead> <tr> <th colspan="4">GEOMETRIC TOLERANCE SYMBOLS</th> </tr> <tr> <th>CHARACTERISTIC</th> <th>SYM</th> <th>CHARACTERISTIC</th> <th>SYM</th> </tr> </thead> <tbody> <tr> <td>Straightness</td> <td>—</td> <td>Angularity</td> <td>∠</td> </tr> <tr> <td>Flatness</td> <td>▱</td> <td>Run out</td> <td>↗</td> </tr> <tr> <td>Roundness</td> <td>○</td> <td>Position</td> <td>⊕</td> </tr> <tr> <td>Cylindricity</td> <td>⊘</td> <td>Concentricity</td> <td>⊙</td> </tr> <tr> <td>Profile of a line</td> <td>⌒</td> <td>Symmetry</td> <td>≡</td> </tr> <tr> <td>Profile of a surface</td> <td>⌒</td> <td>M.M.C.</td> <td>Ⓜ</td> </tr> <tr> <td>Parallelism</td> <td>//</td> <td>Squareness</td> <td>⊥</td> </tr> </tbody> </table>	GEOMETRIC TOLERANCE SYMBOLS				CHARACTERISTIC	SYM	CHARACTERISTIC	SYM	Straightness	—	Angularity	∠	Flatness	▱	Run out	↗	Roundness	○	Position	⊕	Cylindricity	⊘	Concentricity	⊙	Profile of a line	⌒	Symmetry	≡	Profile of a surface	⌒	M.M.C.	Ⓜ	Parallelism	//	Squareness	⊥	<p>ALL DIMENSIONS IN MM THIRD ANGLE PROJECTION</p> <p>TOLERANCES UNLESS OTHERWISE STATED</p> <p>DIMENSIONAL ± 0,5</p> <p>ANGULAR ± 1°</p>	FINISH	DATE	7/12/04	TITLE WIRING DIAGRAM. AIRBOSS, MIRAGE & CHAMELEON 1000E 9KW - 2000E 18KW
GEOMETRIC TOLERANCE SYMBOLS																																														
CHARACTERISTIC	SYM	CHARACTERISTIC	SYM																																											
Straightness	—	Angularity	∠																																											
Flatness	▱	Run out	↗																																											
Roundness	○	Position	⊕																																											
Cylindricity	⊘	Concentricity	⊙																																											
Profile of a line	⌒	Symmetry	≡																																											
Profile of a surface	⌒	M.M.C.	Ⓜ																																											
Parallelism	//	Squareness	⊥																																											
3	ECR. 3348	21-04-07	DD	CDS			APP'D		JOB																																					
2	DCR1434	27-04-05	AMC	MR			DATE																																							
1	REQ. 3782	7/12/04	MR	CDS			DATE		DRG.NO. A3/17734																																					