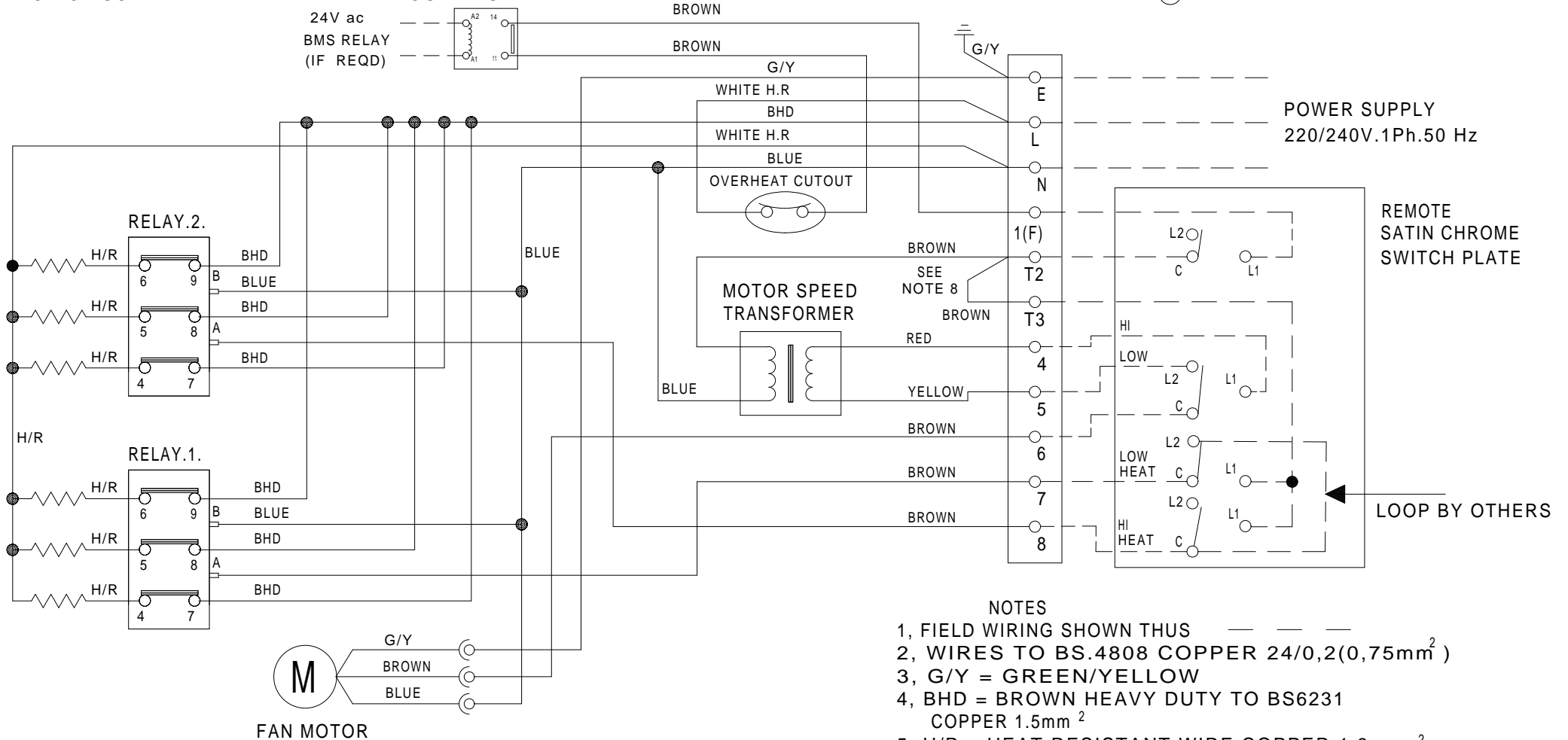


DO NOT SCALE

IF IN DOUBT ASK

© COPYRIGHT RESERVED ET ENVIRONMENTAL LTD.



- NOTES**
- 1, FIELD WIRING SHOWN THUS
  - 2, WIRES TO BS.4808 COPPER 24/0,2(0,75mm<sup>2</sup>)
  - 3, G/Y = GREEN/YELLOW
  - 4, BHD = BROWN HEAVY DUTY TO BS6231 COPPER 1.5mm<sup>2</sup>
  - 5, H/R = HEAT RESISTANT WIRE COPPER 1.3mm<sup>2</sup> WITH LAQ. GLASS BRAID OVERALL
  - 6, (F) = FUSE 2A
  - 7, T2,T3 = REMOTE THERMOSTAT IF REQD.
  - 8, REMOVE LINK IF THERMOSTAT IS USED.

REV.	MOD.NO.	DATE	DRN	CHKD	DRAWING TO B.S. 308:PARTS 1,2 AND 3.			SCALE	DRAWN	MR	DIFFUSION ENVIRONMENTAL LTD																																									
4	DCR. 1720	18-07-12	DD	CDS	WELDING TERMS AND SYMBOLS TO B.S. 499:PART 2.			MAT'L	DATE	7/12/04	47 Central Avenue, West Molesey, Surrey, KT8 2QZ Telephone 020-8783-0033. Fax 020-8783-0140																																									
MODIFICATION					<table border="1"> <thead> <tr> <th colspan="4">GEOMETRIC TOLERANCE SYMBOLS</th> </tr> <tr> <th>CHARACTERISTIC</th> <th>SYM</th> <th>CHARACTERISTIC</th> <th>SYM</th> </tr> </thead> <tbody> <tr> <td>Straightness</td> <td>—</td> <td>Angularity</td> <td>∠</td> </tr> <tr> <td>Flatness</td> <td>▱</td> <td>Run out</td> <td>↗</td> </tr> <tr> <td>Roundness</td> <td>○</td> <td>Position</td> <td>⊕</td> </tr> <tr> <td>Cylindricity</td> <td>∕</td> <td>Concentricity</td> <td>⊙</td> </tr> <tr> <td>Profile of a line</td> <td>⌒</td> <td>Symmetry</td> <td>≡</td> </tr> <tr> <td>Profile of a surface</td> <td>⌒</td> <td>M.M.C.</td> <td>Ⓜ</td> </tr> <tr> <td>Parallelism</td> <td>∕∕</td> <td>Squareness</td> <td>⊥</td> </tr> </tbody> </table>				GEOMETRIC TOLERANCE SYMBOLS				CHARACTERISTIC	SYM	CHARACTERISTIC	SYM	Straightness	—	Angularity	∠	Flatness	▱	Run out	↗	Roundness	○	Position	⊕	Cylindricity	∕	Concentricity	⊙	Profile of a line	⌒	Symmetry	≡	Profile of a surface	⌒	M.M.C.	Ⓜ	Parallelism	∕∕	Squareness	⊥	ALL DIMENSIONS IN MM THIRD ANGLE PROJECTION	FINISH	CHECKED	CDS	TITLE	WIRING DIAGRAM. AIRBOSS, MIRAGE & CHAMELEON 6KW SINGLE PHASE		
GEOMETRIC TOLERANCE SYMBOLS																																																				
CHARACTERISTIC	SYM	CHARACTERISTIC	SYM																																																	
Straightness	—	Angularity	∠																																																	
Flatness	▱	Run out	↗																																																	
Roundness	○	Position	⊕																																																	
Cylindricity	∕	Concentricity	⊙																																																	
Profile of a line	⌒	Symmetry	≡																																																	
Profile of a surface	⌒	M.M.C.	Ⓜ																																																	
Parallelism	∕∕	Squareness	⊥																																																	
3	NOTE 8 ADDED	19/01/10	MW	CDS	TOLERANCES UNLESS OTHERWISE STATED				DATE	7/12/04	APP'D	JOB																																								
2	ECR. 3348	21/04/07	DD	CDS	DIMENSIONAL ± 0,5				DATE		DRG.NO.	A3/17735																																								
1	REQ. 3782	7/12/04	MR	CDS	ANGULAR ± 1°																																															