

Door Air Curtains

ProtecTor



KAMPMAN
Genau mein Klima.



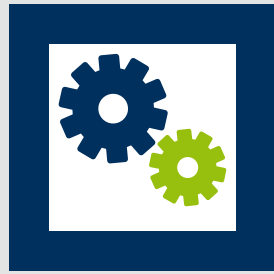
Unbeatable advantages



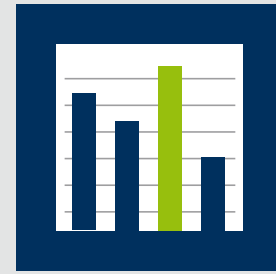
ProtectoR at a glance



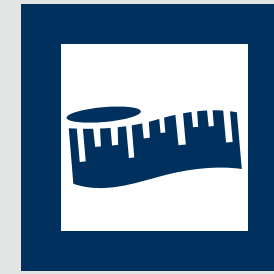
Details



Control options



Performance data



Dimensions



Benefits for you!



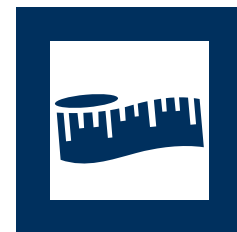
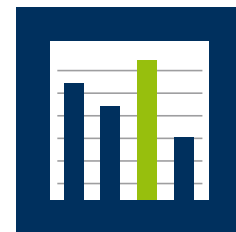


ProtecTor:
Effective cold air screening across open doorways.



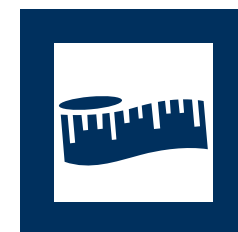
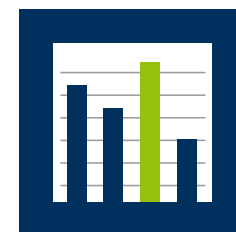
Enhanced space by doorways

Take advantage of enhanced space by improved use of space in spite of open doors, even close to doorways.



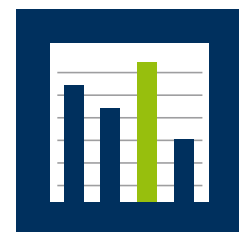
Invisible screening

The ProtecTor's ambient air stream and warm air stream are arranged parallel to each other, explaining why only one fan is needed to effectively screen cold air. The interior of the building remains pleasantly draught-free and warm. This technology has already been registered for a patent.



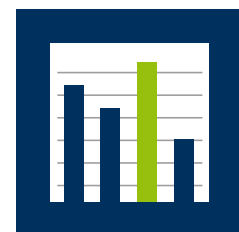
Double for improved savings

The operation of ambient air stream and warm air stream creates energy savings of up to 38 percent compared to conventional systems, resulting in faster payback for your new Kampmann door air curtain.



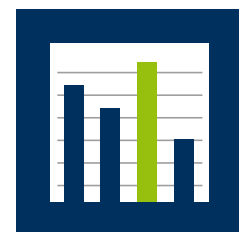
So many to choose from ...

Choose from vertical or horizontal installation and a range of different heat exchangers. Simply take the correct length for your narrow, wide or extra-wide doorway and you've got your perfect ProtecTor.



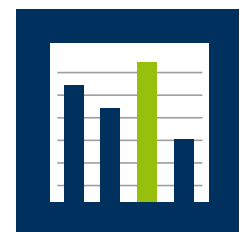
Perfectly controlled

The system is controlled by a stage switch combined with a door contact switch or the state-of-the-art KaControl room automation system. Of course, your special requests are also welcome!



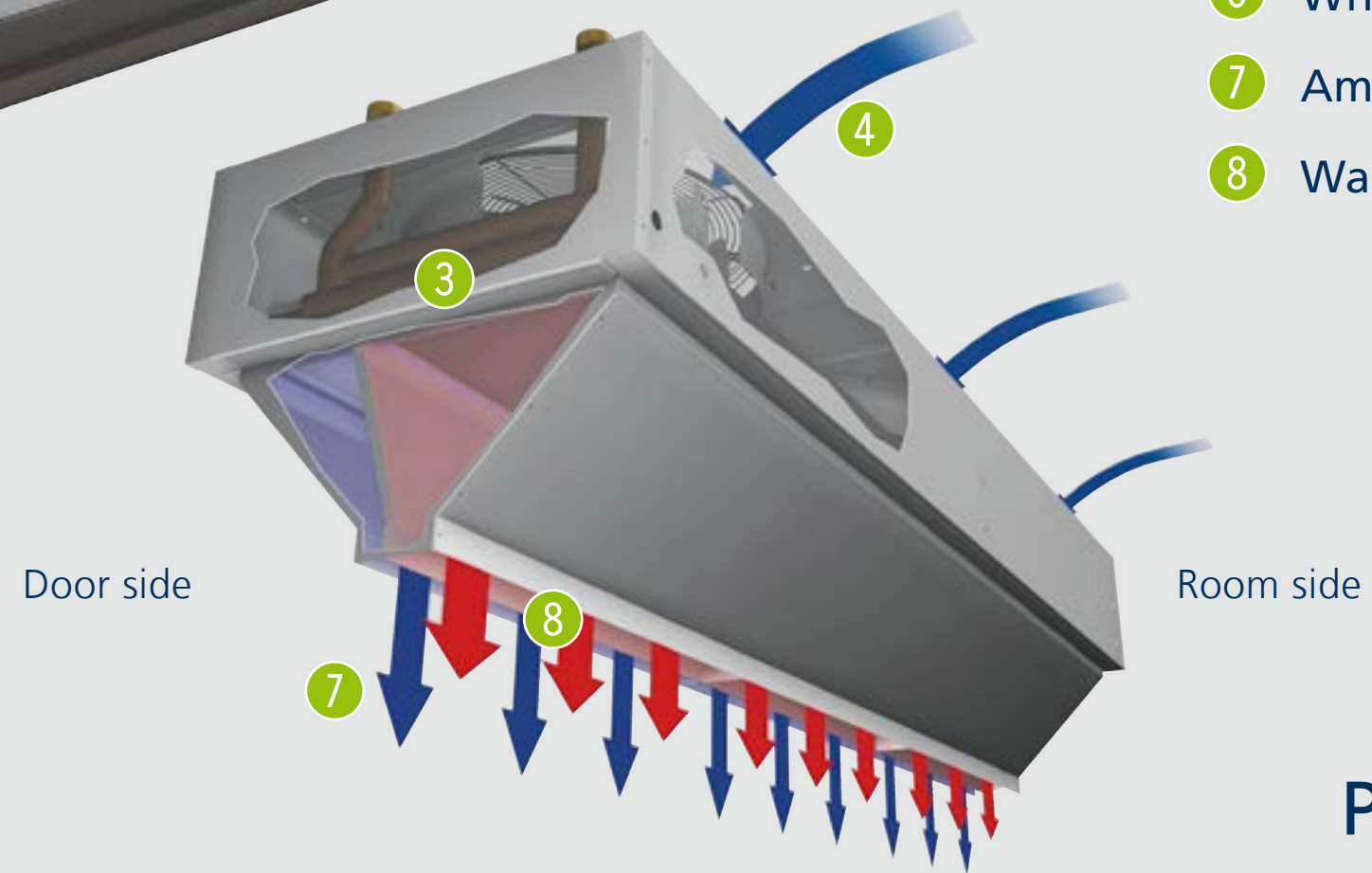
Quickly delivered

Short delivery times give you flexibility and speed: Standard ProtecTor units can be on your site only seven days after technical clarification. You can rely on us. After all, your customers rely on you.



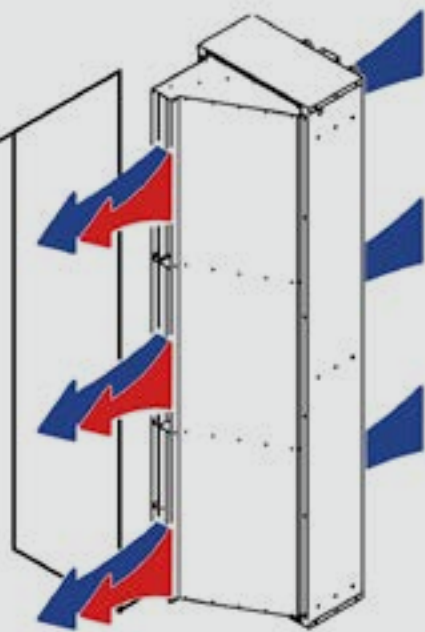


- ① Flow (2")
- ② Return (2")
- ③ PowerKon heat exchanger
- ④ Air is drawn in
- ⑤ Discharge nozzle (shown: central discharge)
- ⑥ Whisper-quiet, sickle-blade axial fan
- ⑦ Ambient air stream
- ⑧ Warm air stream

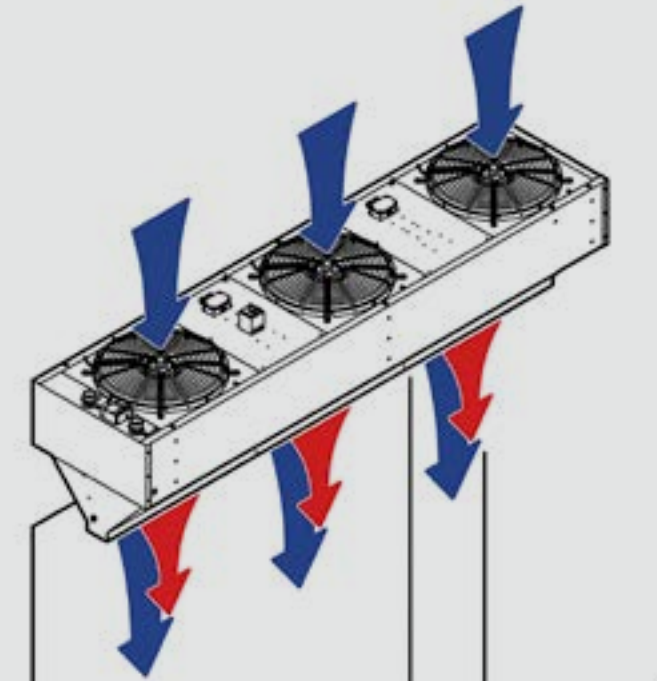


ProtecTor at a glance





Example: standing on right;
with discharge nozzle, one-sided discharge



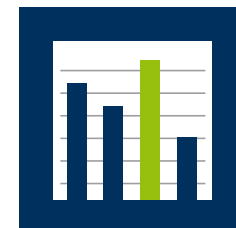
Example: with discharge nozzle,
central discharge

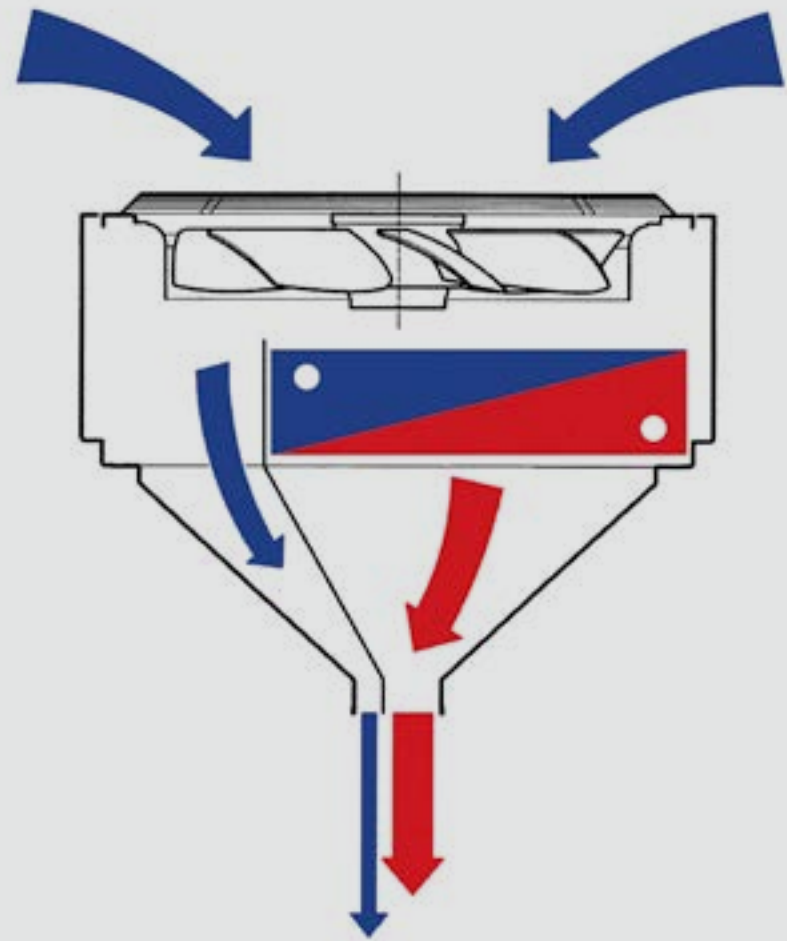
Upright model

- ▶ Air flow horizontally in front of the doorway (room side)
- ▶ Unit can stand on the right or left. Arrangement on both sides is also possible with extremely wide doorways

Horizontal model

- ▶ Air flow from top to bottom





Coanda effect

- ▶ Increased penetration depth of both air streams: the ambient air stream pulls the warm air stream along with it
- ▶ Ambient air stream acts as a back-up air stream: it automatically optimises as the fan speed changes to match the warm air stream

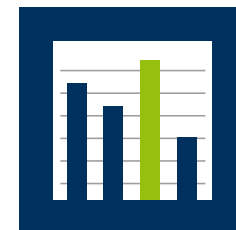


Whisper-quiet, sickle-blade axial fan

- ▶ 2-stage three-phase, 400V/50 Hz

PowerKon heat exchanger

- ▶ Copper pipes with profiled special aluminium fins
- ▶ Optional: Galvanised steel model



Control options



Raumautomation KaControl

- ▶ KaControl technology factory-integrated for setting up entire networked systems based on the KaControl
- ▶ Interfaces for BACnet* or Modbus building automation as an optional plug-in assembly
- ▶ 0 – 10 V analog input for controlling the fan and valve via a single data point
- ▶ Design room control unit with intuitive user navigation
- ▶ Integrated timer program

* Integrated web server



5-stage 3-phase controller

- ▶ with connection for room thermostat
- ▶ with timer or door contact switch

More room and clock thermostats at Kampmann-uk.co.uk; special versions on request



Performance data

Horizontal or upright ProtecTor models										
Fan size	A	B	Height or depth	Max. discharge height or width	Max. door width or height	Number of fans	Fan stage	Total air volume ¹⁾	Heat output ²⁾	Sound pressure level ³⁾
	[mm]	[mm]	[mm]	[m]	[m]			[m ³ /h]	[kW]	[dB(A)]
6	740	3000	360	3,50	3,25	3	2	13.900	65,0	62,5
							1	11.000	50,0	55,5
		4000			4,25	4	2	18.500	86,7	64,0
							1	14.700	66,6	57,0
		5000			5,25	5	2	23.200	108,3	65,0
							1	18.300	83,3	58,0
7	840	3000	360	4,50	3,25	3	2	21.500	100,3	65,5
							1	17.900	79,5	61,5
		4000			4,25	4	2	28.600	133,8	67,0
							1	23.900	106,0	63,0
		5000			5,25	5	2	35.800	167,2	68,0
							1	29.800	132,5	64,0

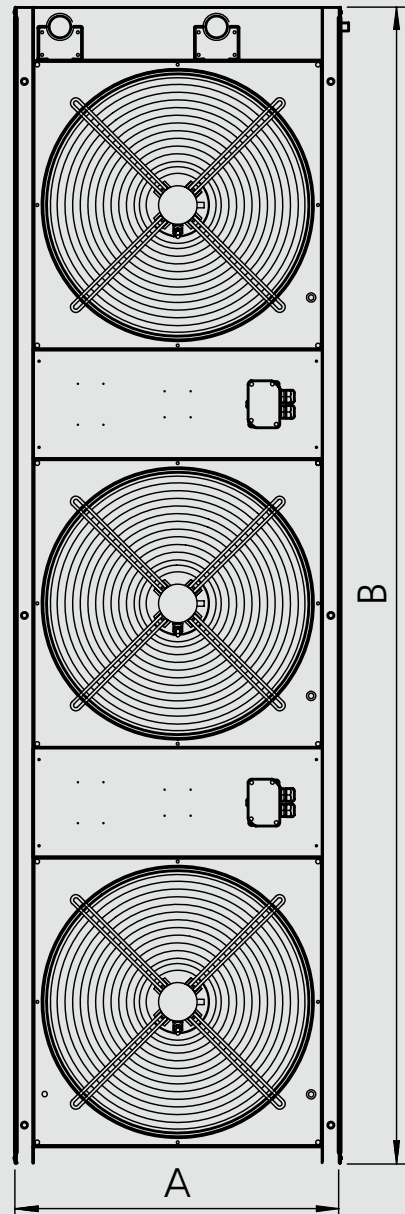
¹⁾Total of ambient and warm air stream

²⁾at LPHW 75/65 °C, t_{L1} = 20 °C

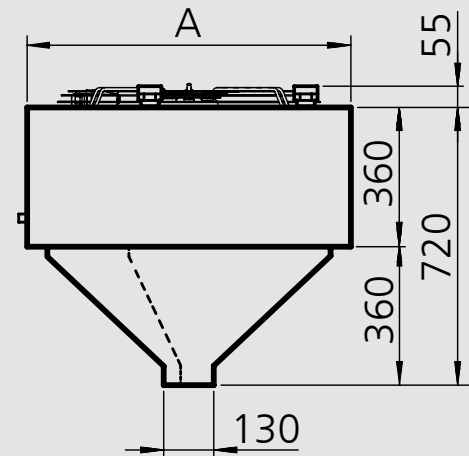
³⁾at a distance of 5 metres



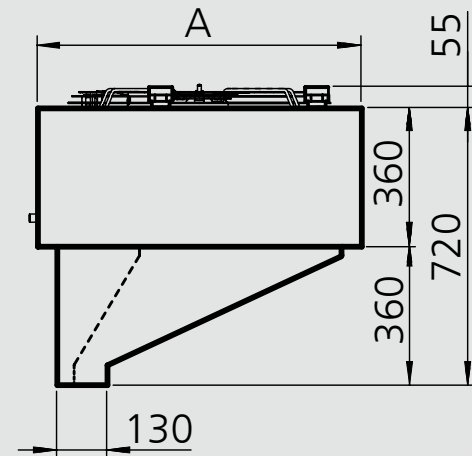
Dimensions



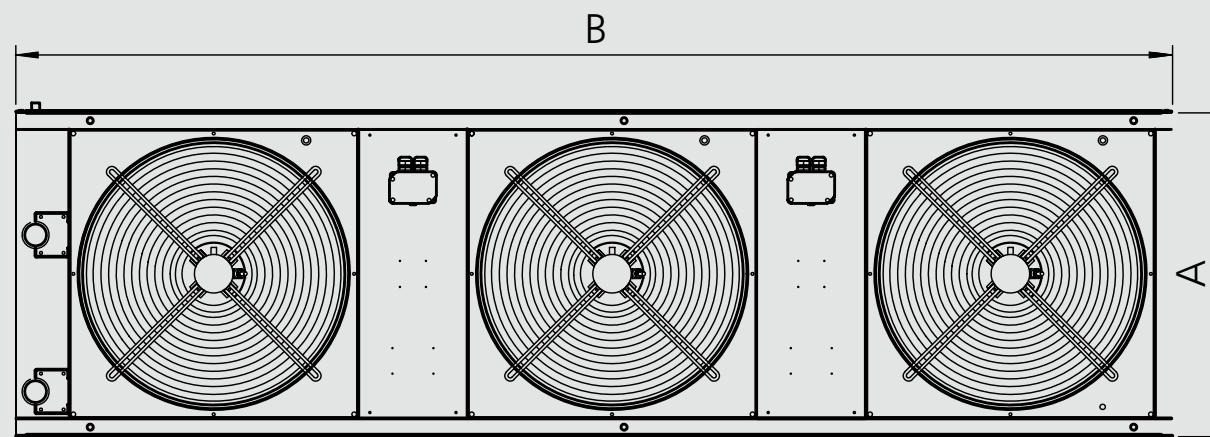
Upright model



Central discharge



Discharge at one side



Horizontal model

Fan size	A	B
	[mm]	[mm]
6	740	3000
		4000
		5000
7	840	3000
		4000
		5000

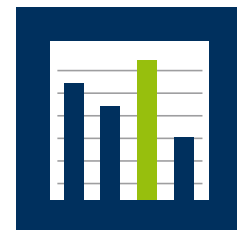


Benefits for you!

Kampmann offers you the following service benefits:

- ▶ On-site consultation
- ▶ Planning support
- ▶ System solutions
- ▶ Detailed discussions
- ▶ After-sales service

We're here for you:
Kampmann.co.uk/contact



Kampmann.co.uk
m.kampmann.co.uk



Kampmann GmbH
Friedrich-Ebert-Str. 128–130
49811 Lingen (Ems)
Germany

T +49 591 7108-0

F +49 591 7108-300

E info@kampmann.de

Kampmann UK Ltd.
Dial House, Govett Avenue
Shepperton, Middlesex, TW17 8A
Great Britain

T +44 (0)1932 228592

F +44 (0)1932 228949

E info@kampmann.co.uk



KAMPMAN
Genau mein Klima.