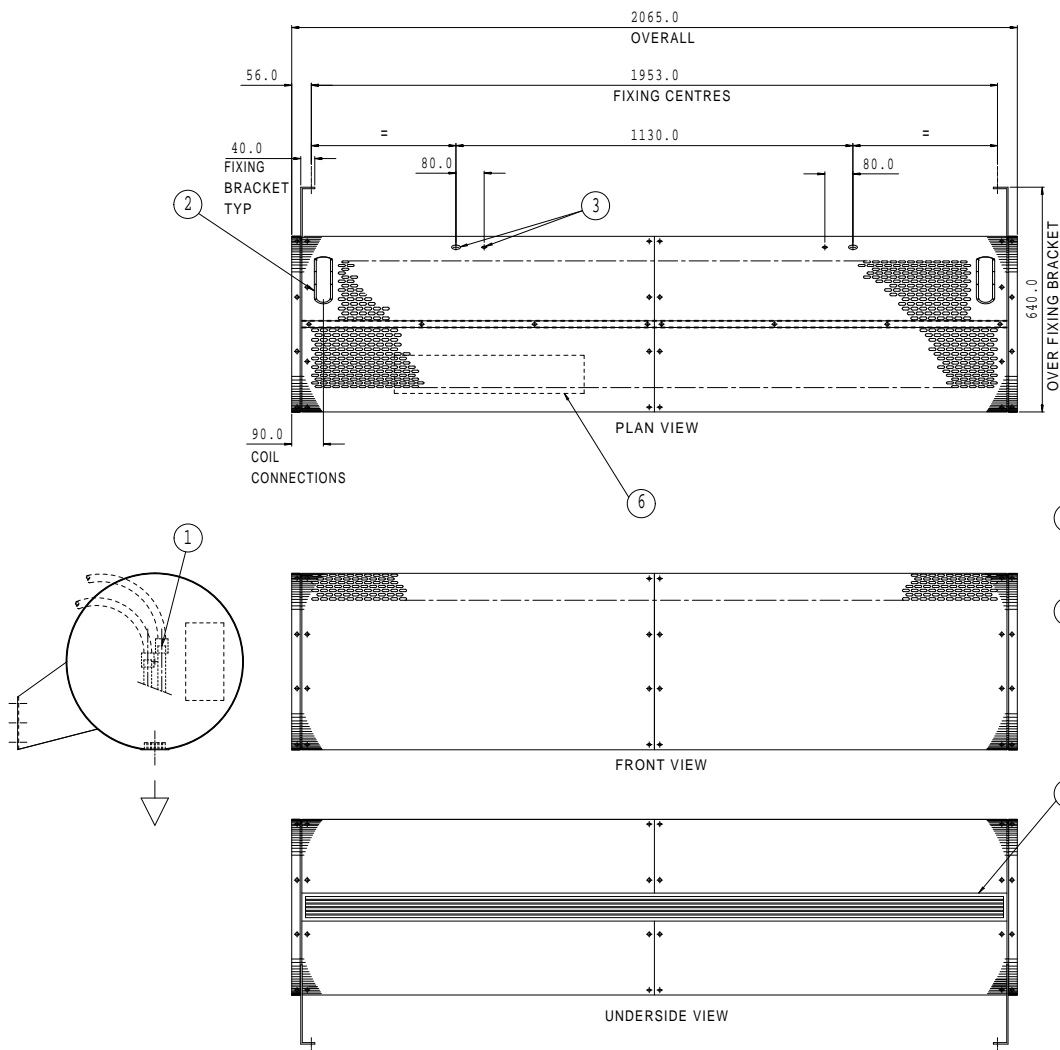


ITEM	DESCRIPTION
1	COIL CONNECTIONS $\phi$ 22mm OD FOR FLEXIBLE CONNECTIONS (LPHW ONLY)
2	KNOCK OUT DETAIL FOR FLEXIBLE PIPE ENTRY (REMOVE USING TIN SNIPS) (LPHW ONLY)
3	CABLE ENTRY $\phi$ 25mm & $\phi$ 12.7 HOLES
4	FIXING HOLES $\phi$ 13mm (6-POSITIONS) (SUITABLE WALL FIXINGS BY OTHERS)
5	ACCESS PANEL
6	CONTROL BOX
7	DISCHARGE GRILLE



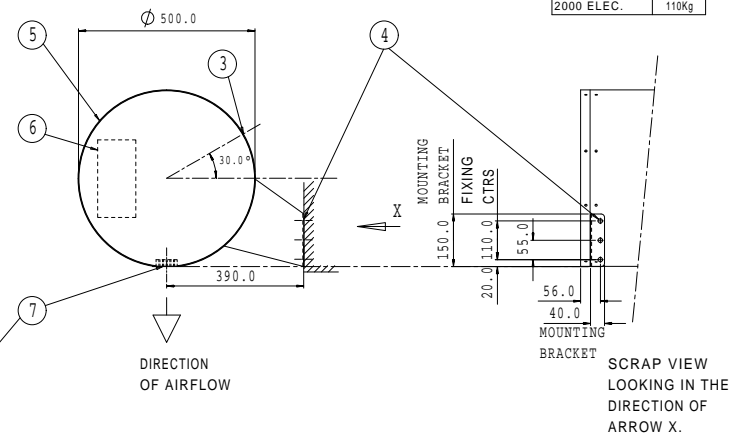
OPTION:

LPHW UNITS:  
COIL TAILS CAN BE AT THE OPPOSITE END OF UNIT,  
(MUST BE SPECIFIED AT TIME OF ORDER).

NOTES:

1. GENERAL TOLERANCE ON OVERALL DIMENSIONS: +/-4mm.
2. OUTER CASING FINISHED IN POWDERCOAT PAINT (COLOUR SPECIFIED BY THE CUSTOMER), OR BRUSHED STAINLESS STEEL.
3. DISCHARGE GRILLE PAINTED TO MATCH OUTER CASING, OR WITH A NATURAL ANODISED ALUMINIUM FINISH.

UNIT	WEIGHT
2000 LPHW.	110kg
2000 ELEC.	110kg



The designs shown in these drawings are the original creations of Diffusion Environmental Systems which owns all the intellectual property rights therein. No reproduction may be made of the drawings nor may articles be made therefrom without prior written permission  
**ALL RIGHTS RESERVED**  
C Diffusion 2000

REV.	MOD.NO.	DATE	DRN	CHKD	DRAWING TO B.S. 308:PARTS 1,2 AND 3.			DRG SCALE:	PRINT SCALE:	DRAWN	MW	DIFFUSION																																				
2	ELECTRIC VERSION ADDED	11-10-10	MW		WELDING TERMS AND SYMBOLS TO B.S. 499:PART 2.			1:1	N.T.S.			31-03-10	87 Central Avenue, West Molesey, Surrey, KT8 2QZ Telephone 020 8783-0033. Fax 020 8783 0140 email: diffusionheat@etenv.co.uk																																			
MODIFICATION					<table border="1"> <thead> <tr> <th>CHARACTERISTIC</th> <th>SYM</th> <th>CHARACTERISTIC</th> <th>SYM</th> </tr> </thead> <tbody> <tr> <td>Straightness</td> <td>—</td> <td>Angularity</td> <td>∠</td> </tr> <tr> <td>Flatness</td> <td>∇</td> <td>Run out</td> <td>↗</td> </tr> <tr> <td>Roundness</td> <td>○</td> <td>Position</td> <td>⊕</td> </tr> <tr> <td>Cylindricity</td> <td>⊘</td> <td>Concentricity</td> <td>⊙</td> </tr> <tr> <td>Profile of a line</td> <td>⌒</td> <td>Symmetry</td> <td>≡</td> </tr> <tr> <td>Profile of a surface</td> <td>⌒</td> <td>M.M.C.</td> <td>⊖</td> </tr> <tr> <td>Parallelism</td> <td>//</td> <td>Squareness</td> <td>⊥</td> </tr> </tbody> </table>			CHARACTERISTIC	SYM	CHARACTERISTIC	SYM	Straightness	—	Angularity	∠	Flatness	∇	Run out	↗	Roundness	○	Position	⊕	Cylindricity	⊘	Concentricity	⊙	Profile of a line	⌒	Symmetry	≡	Profile of a surface	⌒	M.M.C.	⊖	Parallelism	//	Squareness	⊥	ALL DIMENSIONS IN MM THIRD ANGLE PROJECTION  TOLERANCES UNLESS OTHERWISE STATED DIMENSIONAL $\pm$ 0,5 ANGULAR $\pm$ 1°			MATERIAL		FINISH		DATE	TITLE
CHARACTERISTIC	SYM	CHARACTERISTIC	SYM																																													
Straightness	—	Angularity	∠																																													
Flatness	∇	Run out	↗																																													
Roundness	○	Position	⊕																																													
Cylindricity	⊘	Concentricity	⊙																																													
Profile of a line	⌒	Symmetry	≡																																													
Profile of a surface	⌒	M.M.C.	⊖																																													
Parallelism	//	Squareness	⊥																																													
1	REQ5022	31-03-10	MW							31-03-10	GENERAL ARRANGEMENT - SALES CHAMELEON 2000 LHPW/ELECTRIC CIRCULAR DOOR HEATER HORIZONTAL (ALTERNATIVE SIDE MOUNTED VERSION)																																					
										APP'D	JOB																																					
										DATE	DRG.NO.	A1/24871																																				