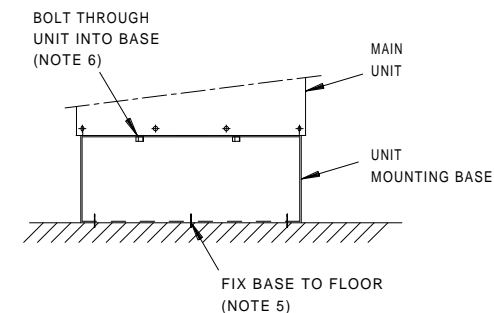


ITEM	DESCRIPTION
1	CABLE / PIPE ENTRY
2	COIL TAILS ϕ 22mm OD PLAIN TAILS (LPHW UNITS ONLY)
3	FLOOR FIXING HOLES ϕ 18mm (4-POSITIONS)
4	ACCESS PANEL (2-POSITIONS)
5	CONTROL BOX
6	DISCHARGE GRILLE
7	WALL MOUNTED CONTROL PANEL

NOTES:

- GENERAL TOLERANCE ON OVERALL DIMENSIONS: +/-4mm.
- OUTER CASING FINISHED IN POWDERCOAT PAINT, (COLOUR SPECIFIED BY CUSTOMER), OR, BRUSHED STAINLESS STEEL.
- DISCHARGE GRILLE PAINTED TO MATCH OUTER CASING, OR, FINISHED IN ANODISED ALUMINIUM.
- INSTALLATION: THE UNIT MOUNTING BASE SECTION IS FIXED TO THE FLOOR, THEN THE MAIN UNIT IS MOUNTED ON TOP.
- UNIT MOUNTING BASE MUST BE INSTALLED FLAT AND LEVEL IN ALL DIRECTIONS USING 4-OFF SUITABLE FIXINGS (BY OTHERS)
- UNIT FIXED TO MOUNTING BASE WITH 4-OFF M16 BOLTS AND WASHERS (NUTS WELDED TO TOP FLANGE OF MOUNTING BASE)
- MOUNTING BASE MUST BE FITTED PAYING ATTENTION TO DIRECTION OF AIRFLOW (SEE UNDERSIDE VIEW).
- OPTIONAL 3-PORT VALVE SUPPLIED BY DIFFUSION TO BE FITTED REMOTE TO UNIT BY OTHERS IF REQUIRED.



UNIT	WEIGHT
1700 LPHW	76Kg
1700 ELEC.	79Kg

The designs shown in these drawings are the original creations of Diffusion Environmental Systems which owns all the intellectual property rights therein. No reproduction may be made of the drawings nor may articles be made therefrom without prior written permission
ALL RIGHTS RESERVED
C D Diffusion 2000

REV.	MOD.NO.	DATE	DRN	CHKD	DRAWING TO B.S. 308:PARTS 1,2 AND 3. WELDING TERMS AND SYMBOLS TO B.S. 499:PART 2.	DRAWING SCALE: 1:1	PRINT SCALE: N.T.S.	DRAWN ANR	47 Central Avenue, West Molesey, Surrey, KT8 2QZ Telephone 020 8783-0033. Fax 020 8783 0140 email: diffusion@etenv.co.uk																																													
4	MIN. MOD.	20-04-05	MW					DATE 15-07-03																																														
MODIFICATION					<table border="1"> <thead> <tr> <th colspan="4">GEOMETRIC TOLERANCE SYMBOLS</th> </tr> <tr> <th>CHARACTERISTIC</th> <th>SYM</th> <th>CHARACTERISTIC</th> <th>SYM</th> </tr> </thead> <tbody> <tr> <td>Straightness</td> <td>—</td> <td>Angularity</td> <td>∠</td> </tr> <tr> <td>Flatness</td> <td>▭</td> <td>Run out</td> <td>↗</td> </tr> <tr> <td>Roundness</td> <td>○</td> <td>Position</td> <td>⊕</td> </tr> <tr> <td>Cylindricity</td> <td>∩</td> <td>Concentricity</td> <td>⊙</td> </tr> <tr> <td>Profile of a line</td> <td>∧</td> <td>Symmetry</td> <td>≡</td> </tr> <tr> <td>Profile of a surface</td> <td>∩</td> <td>M.M.C.</td> <td>⊖</td> </tr> <tr> <td>Parallelism</td> <td>//</td> <td>Squareness</td> <td>⊥</td> </tr> </tbody> </table>	GEOMETRIC TOLERANCE SYMBOLS				CHARACTERISTIC	SYM	CHARACTERISTIC	SYM	Straightness	—	Angularity	∠	Flatness	▭	Run out	↗	Roundness	○	Position	⊕	Cylindricity	∩	Concentricity	⊙	Profile of a line	∧	Symmetry	≡	Profile of a surface	∩	M.M.C.	⊖	Parallelism	//	Squareness	⊥	<table border="1"> <thead> <tr> <th colspan="2">ALL DIMENSIONS IN MM THIRD ANGLE PROJECTION</th> </tr> </thead> <tbody> <tr> <td>TOLERANCES UNLESS OTHERWISE STATED</td> <td></td> </tr> <tr> <td>DIMENSIONAL \pm 0,5</td> <td></td> </tr> <tr> <td>ANGULAR \pm 1°</td> <td></td> </tr> </tbody> </table>	ALL DIMENSIONS IN MM THIRD ANGLE PROJECTION		TOLERANCES UNLESS OTHERWISE STATED		DIMENSIONAL \pm 0,5		ANGULAR \pm 1°		MAT'L		TITLE	GENERAL ARRANGEMENT - SALES CHAMELEON 1700 (1.7m) LPHW /ELECTRIC CIRCULAR DOOR HEATER ϕ 500 VERTICAL (BASE MOUNTED VERSION)
GEOMETRIC TOLERANCE SYMBOLS																																																						
CHARACTERISTIC	SYM	CHARACTERISTIC	SYM																																																			
Straightness	—	Angularity	∠																																																			
Flatness	▭	Run out	↗																																																			
Roundness	○	Position	⊕																																																			
Cylindricity	∩	Concentricity	⊙																																																			
Profile of a line	∧	Symmetry	≡																																																			
Profile of a surface	∩	M.M.C.	⊖																																																			
Parallelism	//	Squareness	⊥																																																			
ALL DIMENSIONS IN MM THIRD ANGLE PROJECTION																																																						
TOLERANCES UNLESS OTHERWISE STATED																																																						
DIMENSIONAL \pm 0,5																																																						
ANGULAR \pm 1°																																																						
3	ECR 3183	12-04-05	MW					CHECKED																																														
2	ECR 3042	30-04-04	ANR					DATE																																														
1	FIRST ISS.	15-07-03	ANR					APP'D	JOB STANDARD																																													
									DATE	DRG.NO. A1/15536																																												