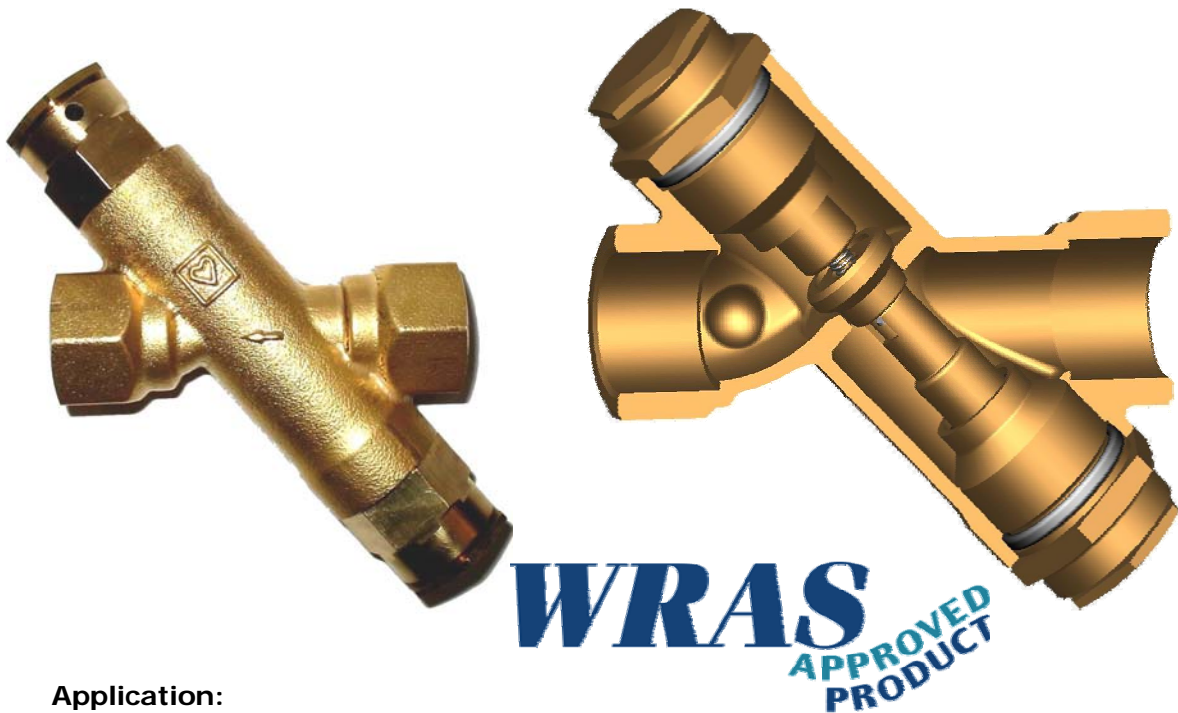


Circuit Temperature Controller

Herz 4011



Application:

The HERZ thermostatic flow control valve is a thermostatic control valve for circulating hot water systems with a circulation pump, in the form of a proportional controller which does not require external power. The temperature in the circulation pipe is controlled and where several branches are involved, distribution of the hot water is automatically ensured. The quantity of water circulating is limited to the quantity required for keeping the temperature constant and circulation losses are minimised.

Mounting:

The valve is mounted in the return leg of each branch on a pumped return domestic hot water system, prior to the return header, for simple balancing of the system. Available in 1/2" and 3/4" sizes and with regulating temperatures of 52 or 55°C.

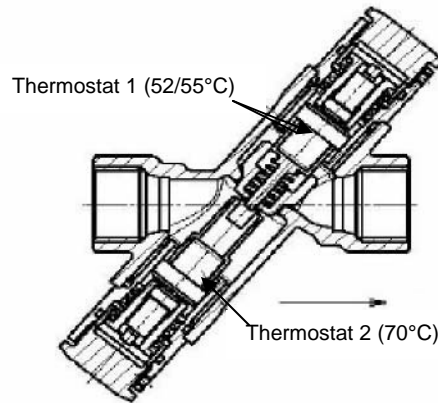
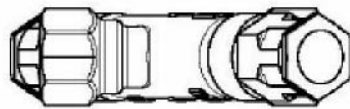
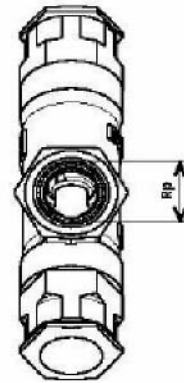
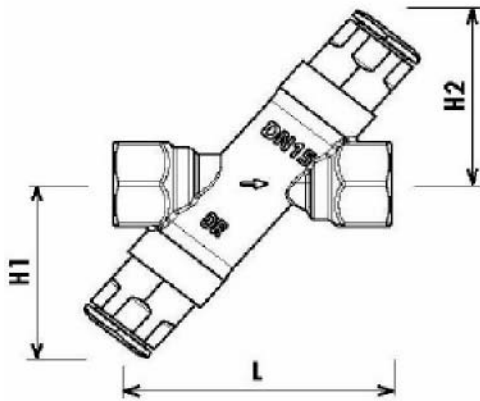
Function:

The valve seat inside the body is opened or closed by the valve cone. When the temperature rises above 52/55°C the cone is slowly and continuously closed by the thermostatic element to a minimum flow of 20%. When the temperature falls it is opened by a spring acting against the thermostatic element. While pasteurising the system to eradicate Legionella, the second thermostatic insert reacts at a temperature of 70°C, pushing the upper insert open to maintain a steady flow through the valve, throughout the whole thermal flushing process.

Technical Data:

Closing temperatures	52 or 55°C / 70°C
Max. operating temperature	110°C
Max. operating pressure	10 bar
Material:	DZR copper alloy

2 4011 01 circuit thermostatic control valve 1/2"	kv 0,45 Reg temp 52°C
2 4011 02 circuit thermostatic control valve 3/4"	kv 0,45 Reg temp 52°C
2 4011 11 circuit thermostatic control valve 1/2"	kv 0,45 Reg temp 55°C
2 4011 12 circuit thermostatic control valve 3/4"	kv 0,45 Reg temp 55°C



Part Number	DN	Rp	L	H1	H2
4011-01	15	1/2"	81	55	56
4011-02	20	3/4"	102	51	54
4011-11	15	1/2"	81	55	56
4011-12	20	3/4"	102	51	54



Herz Valves UK Ltd

Progress House
Moorfield Point, Moorfield Road
Slyfield Industrial Estate
Guildford Surrey, GU1 1RU.
Tel: 01483 502211
Fax: 01483 502025
E-Mail, sales@herzvalves.com