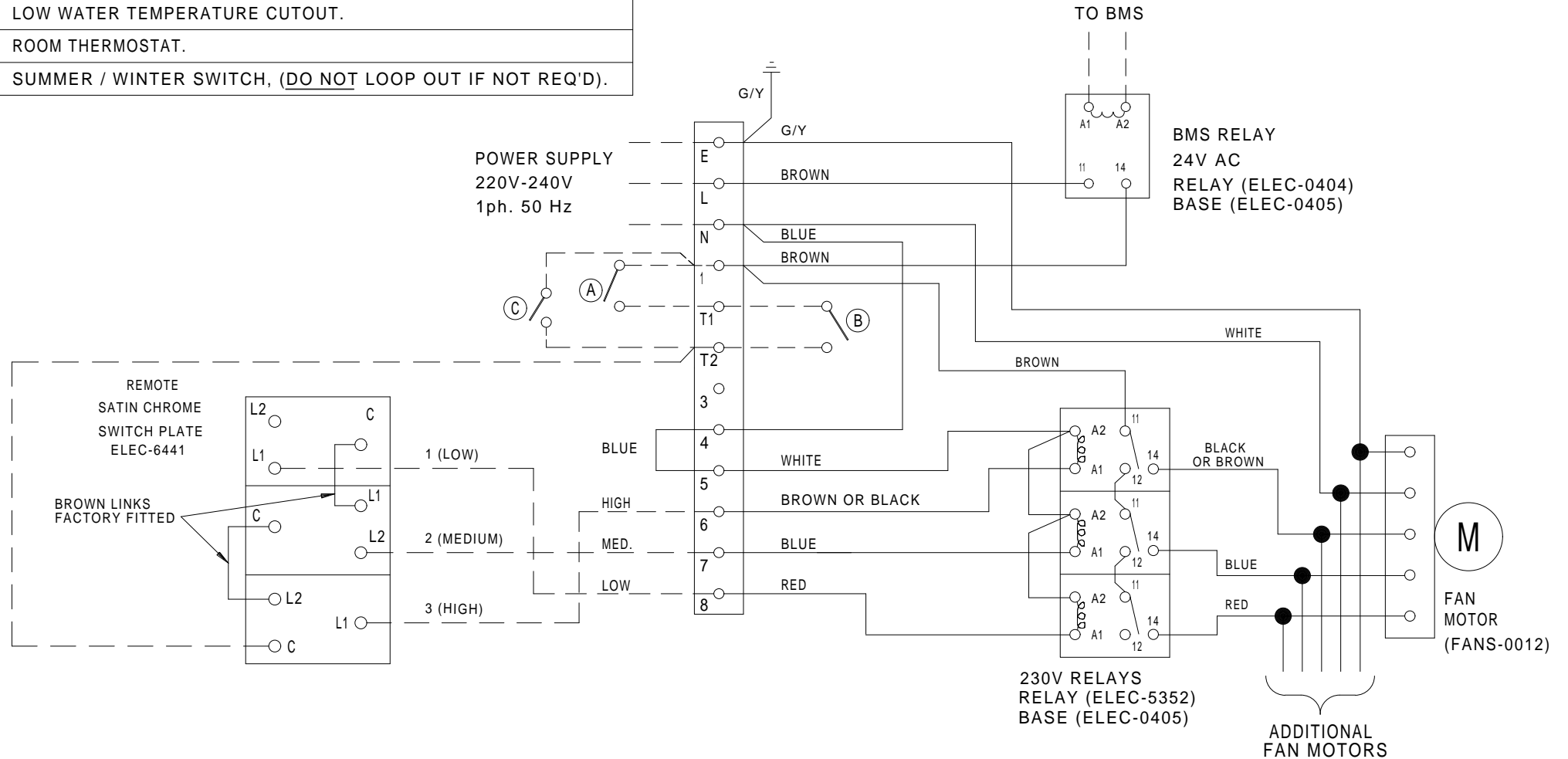


DO NOT SCALE

IF IN DOUBT ASK

© COPYRIGHT RESERVED ET ENVIRONMENTAL LTD.

OPTIONAL CONTROLS.	
A	LOW WATER TEMPERATURE CUTOUT.
B	ROOM THERMOSTAT.
C	SUMMER / WINTER SWITCH, (DO NOT LOOP OUT IF NOT REQ'D).



NOTES:

- 1, FIELD WIRING, (BY OTHERS), SHOWN THUS: - - - - -
- 2, G/Y - GREEN/YELLOW
- 3, INTERNAL WIRES TO BS.4808 COPPER 24/0,2(0,75mm)²
4. IF A IS NOT REQUIRED, LOOP ACROSS TERMINALS 1 & T1.
5. IF B IS NOT REQUIRED, LOOP ACROSS TERMINALS T1 & T2.
6. IF C IS NOT REQUIRED, DO NOT LOOP OUT.

REV.	MOD.NO.	DATE	DRN	CHKD	DRAWN	DD	DIFFUSION ENVIRONMENTAL LTD	
1	REQ. 5568	27-07-12	DD	CDS	DATE	27-07-12	47 Central Avenue, West Molesey, Surrey, KT8 2QZ Telephone 020-8783-0033. Fax 020-8783-0140	
MODIFICATION							TITLE	WIRING DIAGRAM, MIRAGE & SAVANNA HI PERFORMANCE LPHW
CHECKED						CDS	JOB	
DATE						27-07-12	DRG.NO. A3/27700	
APP'D								
DATE								