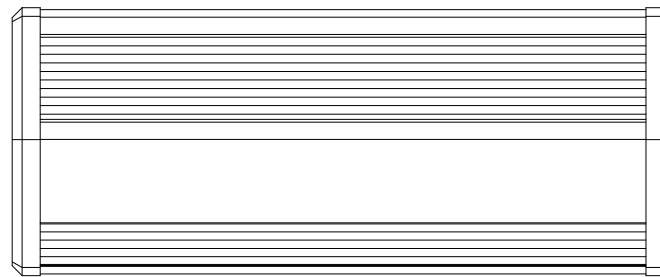
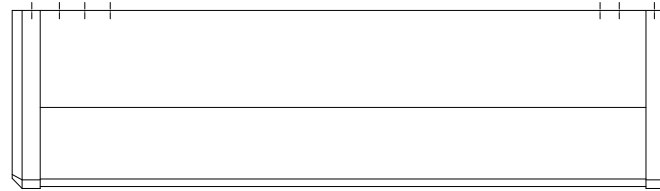
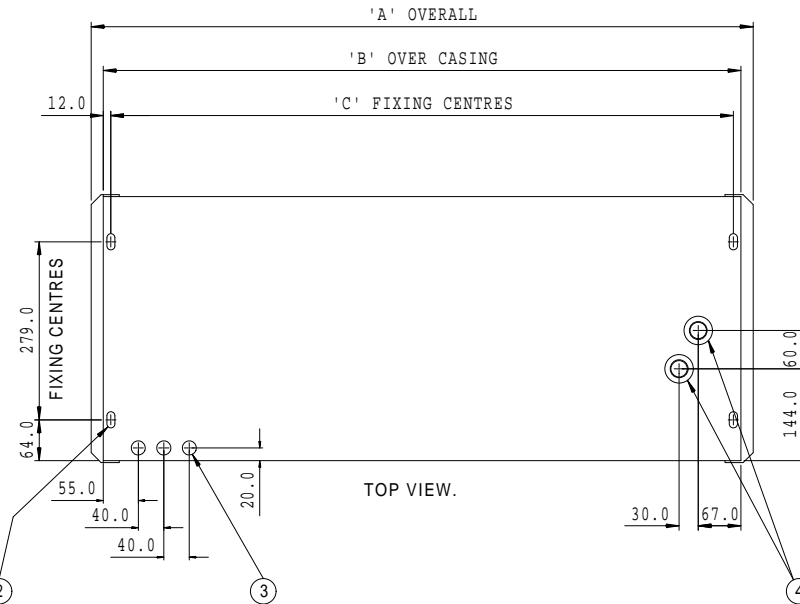
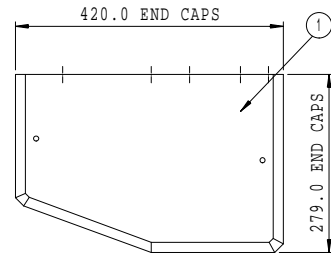
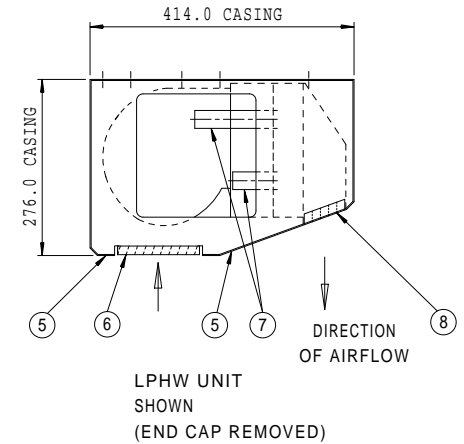


| ITEM | DESCRIPTION |
|------|---|
| 1 | REMOVABLE END CAP FOR CONTROL BOX ACCESS |
| 2 | TOP FIXING SLOTS 13x25 LONG |
| 3 | CABLE ENTRY HOLES ϕ 22.0 |
| 4 | PIPE ENTRY (LPHW UNITS ONLY). |
| 5 | ACCESS COVERS |
| 6 | INLET GRILLE |
| 7 | COIL TAILS ϕ 28 PLAIN TAILS (LPHW UNITS ONLY). |
| 8 | DISCHARGE GRILLE |

| UNIT DESCRIPTION | WEIGHT |
|------------------|--------|
| 1000 LPHW | 37kg |
| 1000 ELECTRIC | 41kg |
| 1500 LPHW | 55kg |
| 1500 ELECTRIC | 61kg |
| 1800 LPHW | 69kg |
| 1800 ELECTRIC | 74kg |
| 2000 LPHW | 75kg |
| 2000 ELECTRIC | 80kg |



| UNIT DESCRIPTION | DIMENSION | | |
|----------------------|-----------|------|------|
| | A | B | C |
| 1000 LPHW / ELECTRIC | 1038 | 1000 | 976 |
| 1500 LPHW / ELECTRIC | 1538 | 1500 | 1476 |
| 1800 LPHW / ELECTRIC | 1838 | 1800 | 1776 |
| 2000 LPHW / ELECTRIC | 2038 | 2000 | 1976 |



NOTES:

- GENERAL TOLERANCE ON DIMENSIONS: +/-4mm UNLESS OTHERWISE STATED.
- OUTER CASING AND GRILLES FINISHED IN WHITE POWDERCOAT PAINT (RAL9010) AS STANDARD OR, ANY COLOUR AS SPECIFIED BY THE CUSTOMER.

| REV. | MOD.NO. | DATE | DRN | CHKD | DRAWING TO B.S. 308:PARTS 1,2 AND 3. WELDING TERMS AND SYMBOLS TO B.S. 499:PART 2. | DRAWING SCALE: 1:1 PRINT SCALE: NTS | DRAWN MW | DATE 13-12-04 | DIFFUSION ENVIRONMENTAL LTD 47 Central Avenue, West Molesey, Surrey, KT8 2QZ Telephone 020 8783-0033. Fax 020 8783-0140 | | | | | | | | | | | | | | | | | | | | | | | | | | | | | | | | | |
|------------------------------------|--------------------|----------------|-----|---|--|--|---------------|--|---|---|--------------|---|------------|---|---|----------|---|---------|---|-----------|---|----------|---|--------------|---|---------------|---|-------------------|---|----------|---|----------------------|---|--------|---|-------------|----|------------|---|-------|------------|----------------|
| 2 | SIZE 1800 ADDED | 15-05-07 | MW | | | | | | | | | | | | | | | | | | | | | | | | | | | | | | | | | | | | | | | |
| MODIFICATION | | | | | <table border="1"> <thead> <tr> <th>GEOMETRIC TOLERANCE CHARACTERISTIC</th> <th>SYM</th> <th>CHARACTERISTIC</th> <th>SYM</th> <th>ALL DIMENSIONS IN MM THIRD ANGLE PROJECTION</th> </tr> </thead> <tbody> <tr> <td>Straightness</td> <td>—</td> <td>Angularity</td> <td>∠</td> <td rowspan="10">TOLERANCES UNLESS OTHERWISE STATED DIMENSIONAL \pm 0,5 ANGULAR \pm 1°</td> </tr> <tr> <td>Flatness</td> <td>∇</td> <td>Run out</td> <td>↗</td> </tr> <tr> <td>Roundness</td> <td>○</td> <td>Position</td> <td>⊕</td> </tr> <tr> <td>Cylindricity</td> <td>⊘</td> <td>Concentricity</td> <td>⊙</td> </tr> <tr> <td>Profile of a line</td> <td>⌒</td> <td>Symmetry</td> <td>≡</td> </tr> <tr> <td>Profile of a surface</td> <td>⌒</td> <td>M.M.C.</td> <td>Ⓞ</td> </tr> <tr> <td>Parallelism</td> <td>//</td> <td>Squareness</td> <td>⊥</td> </tr> </tbody> </table> | GEOMETRIC TOLERANCE CHARACTERISTIC | SYM | CHARACTERISTIC | SYM | ALL DIMENSIONS IN MM THIRD ANGLE PROJECTION | Straightness | — | Angularity | ∠ | TOLERANCES UNLESS OTHERWISE STATED DIMENSIONAL \pm 0,5 ANGULAR \pm 1° | Flatness | ∇ | Run out | ↗ | Roundness | ○ | Position | ⊕ | Cylindricity | ⊘ | Concentricity | ⊙ | Profile of a line | ⌒ | Symmetry | ≡ | Profile of a surface | ⌒ | M.M.C. | Ⓞ | Parallelism | // | Squareness | ⊥ | MAT'L | CHECKED RH | TITLE SALES GA |
| GEOMETRIC TOLERANCE CHARACTERISTIC | SYM | CHARACTERISTIC | SYM | ALL DIMENSIONS IN MM THIRD ANGLE PROJECTION | | | | | | | | | | | | | | | | | | | | | | | | | | | | | | | | | | | | | | |
| Straightness | — | Angularity | ∠ | TOLERANCES UNLESS OTHERWISE STATED DIMENSIONAL \pm 0,5 ANGULAR \pm 1° | | | | | | | | | | | | | | | | | | | | | | | | | | | | | | | | | | | | | | |
| Flatness | ∇ | Run out | ↗ | | | | | | | | | | | | | | | | | | | | | | | | | | | | | | | | | | | | | | | |
| Roundness | ○ | Position | ⊕ | | | | | | | | | | | | | | | | | | | | | | | | | | | | | | | | | | | | | | | |
| Cylindricity | ⊘ | Concentricity | ⊙ | | | | | | | | | | | | | | | | | | | | | | | | | | | | | | | | | | | | | | | |
| Profile of a line | ⌒ | Symmetry | ≡ | | | | | | | | | | | | | | | | | | | | | | | | | | | | | | | | | | | | | | | |
| Profile of a surface | ⌒ | M.M.C. | Ⓞ | | | | | | | | | | | | | | | | | | | | | | | | | | | | | | | | | | | | | | | |
| Parallelism | // | Squareness | ⊥ | | | | | | | | | | | | | | | | | | | | | | | | | | | | | | | | | | | | | | | |
| | | | | | | | DATE 13-12-04 | OASIS MK2 (TYPE B) 1000, 1500, 1800, 2000 LPHW/ELECTRIC CASED. | | | | | | | | | | | | | | | | | | | | | | | | | | | | | | | | | | |
| | | | | | | FINISH | APP'D SH | JOB STANDARD OPTION | | | | | | | | | | | | | | | | | | | | | | | | | | | | | | | | | | |
| 1 | REQ3601 | 13-12-04 | MW | | | | | DATE 13-12-04 | DRG.NO. A1/17821 | | | | | | | | | | | | | | | | | | | | | | | | | | | | | | | | | |