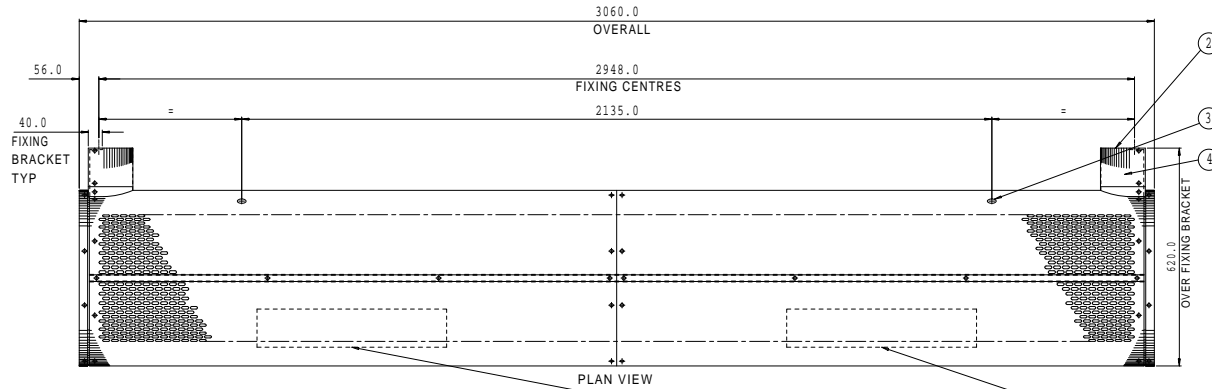


ITEM	DESCRIPTION
1	COIL CONNECTIONS \varnothing 22mm OD (LPHW UNITS ONLY)
2	CABLE ENTRY (2-POSITIONS)
3	ALTERNATIVE CABLE ENTRY \varnothing 25mm HOLE (2-POSITIONS)
4	PIPEWORK / CABLE SHROUD (REMOVABLE TO AID INSTALLATION)
5	FIXING HOLES \varnothing 13mm (6-POSITIONS) (SUITABLE WALL FIXINGS BY OTHERS)
6	ACCESS PANEL
7	CONTROL BOX (2-POSITIONS)
8	DISCHARGE GRILLE



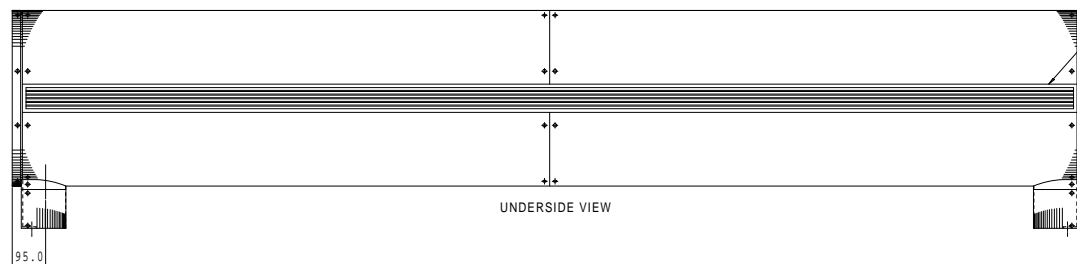
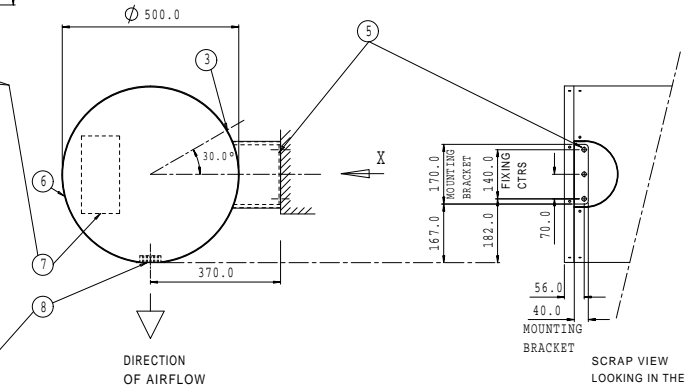
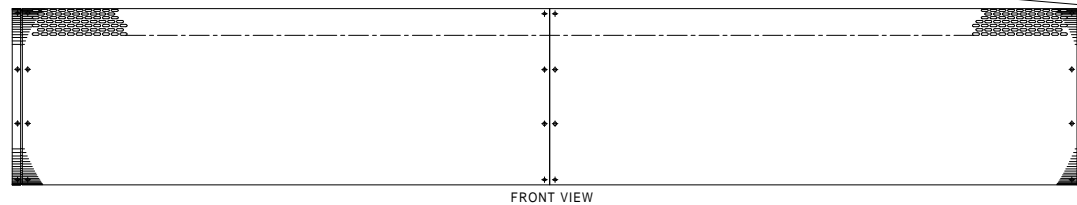
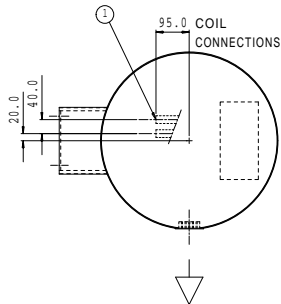
OPTION:

- LPHW UNITS: COIL TAILS CAN BE AT THE OPPOSITE END OF UNIT.

NOTES:

1. GENERAL TOLERANCE ON OVERALL DIMENSIONS: +/-4mm.
2. OUTER CASING FINISHED IN POWDERCOAT PAINT (COLOUR SPECIFIED BY THE CUSTOMER), OR BRUSHED STAINLESS STEEL.
3. DISCHARGE GRILLE PAINTED TO MATCH OUTER CASING, OR WITH A NATURAL ANODISED ALUMINIUM FINISH.

UNIT	WEIGHT
3000 LPHW.	160kg
3000 ELEC.	160kg



COIL CONNECTIONS

The designs shown in these drawings are the original creations of Diffusion Environmental Systems which owns all the intellectual property rights therein. No reproduction may be made of the drawings nor may articles be made therefrom without prior written permission
ALL RIGHTS RESERVED
C Diffusion 2000

REV.	MOD.NO.	DATE	DRN	CHKD	DRAWING TO B.S. 308:PARTS 1,2 AND 3.			DRG SCALE:	PRINT SCALE:	DRAWN	DIFFUSION																																					
3	LPHW WEIGHT ADDED	29-07-09	MW		WELDING TERMS AND SYMBOLS TO B.S. 499:PART 2.			1:1	N.T.S.	MW	47 Central Avenue, West Molesey, Surrey, KT8 2QZ Telephone 020 8783-0033. Fax 020 8783 0140 email: diffusionheat@etenv.co.uk																																					
MODIFICATION					<table border="1"> <thead> <tr> <th>CHARACTERISTIC</th> <th>SYM</th> <th>CHARACTERISTIC</th> <th>SYM</th> </tr> </thead> <tbody> <tr> <td>Straightness</td> <td>—</td> <td>Angularity</td> <td>∠</td> </tr> <tr> <td>Flatness</td> <td>∇</td> <td>Run out</td> <td>↗</td> </tr> <tr> <td>Roundness</td> <td>○</td> <td>Position</td> <td>⊕</td> </tr> <tr> <td>Cylindricity</td> <td>⊘</td> <td>Concentricity</td> <td>⊙</td> </tr> <tr> <td>Profile of a line</td> <td>⌒</td> <td>Symmetry</td> <td>≡</td> </tr> <tr> <td>Profile of a surface</td> <td>⌒</td> <td>M.M.C.</td> <td>⊖</td> </tr> <tr> <td>Parallelism</td> <td>//</td> <td>Squareness</td> <td>⊥</td> </tr> </tbody> </table>			CHARACTERISTIC	SYM	CHARACTERISTIC	SYM	Straightness	—	Angularity	∠	Flatness	∇	Run out	↗	Roundness	○	Position	⊕	Cylindricity	⊘	Concentricity	⊙	Profile of a line	⌒	Symmetry	≡	Profile of a surface	⌒	M.M.C.	⊖	Parallelism	//	Squareness	⊥	ALL DIMENSIONS IN MM THIRD ANGLE PROJECTION TOLERANCES UNLESS OTHERWISE STATED DIMENSIONAL \pm 0,5 ANGULAR \pm 1°			MATERIAL		DATE 12-09-08		TITLE	
CHARACTERISTIC	SYM	CHARACTERISTIC	SYM																																													
Straightness	—	Angularity	∠																																													
Flatness	∇	Run out	↗																																													
Roundness	○	Position	⊕																																													
Cylindricity	⊘	Concentricity	⊙																																													
Profile of a line	⌒	Symmetry	≡																																													
Profile of a surface	⌒	M.M.C.	⊖																																													
Parallelism	//	Squareness	⊥																																													
2 3000 WAS 3000 2006 WAS 2006 2135 WAS 2075 ELECTRIC 00005 27-02-09 MW								FINISH		GENERAL ARRANGEMENT - SALES CHAMELEON 3000 LPHW/ELECTRIC CIRCULAR DOOR HEATER HORIZONTAL (SIDE MOUNTED VERSION)																																						
1 REQ4635 12-09-08 MW								DATE		JOB STANDARD																																						
								DATE		DRG.NO. A1/22254																																						