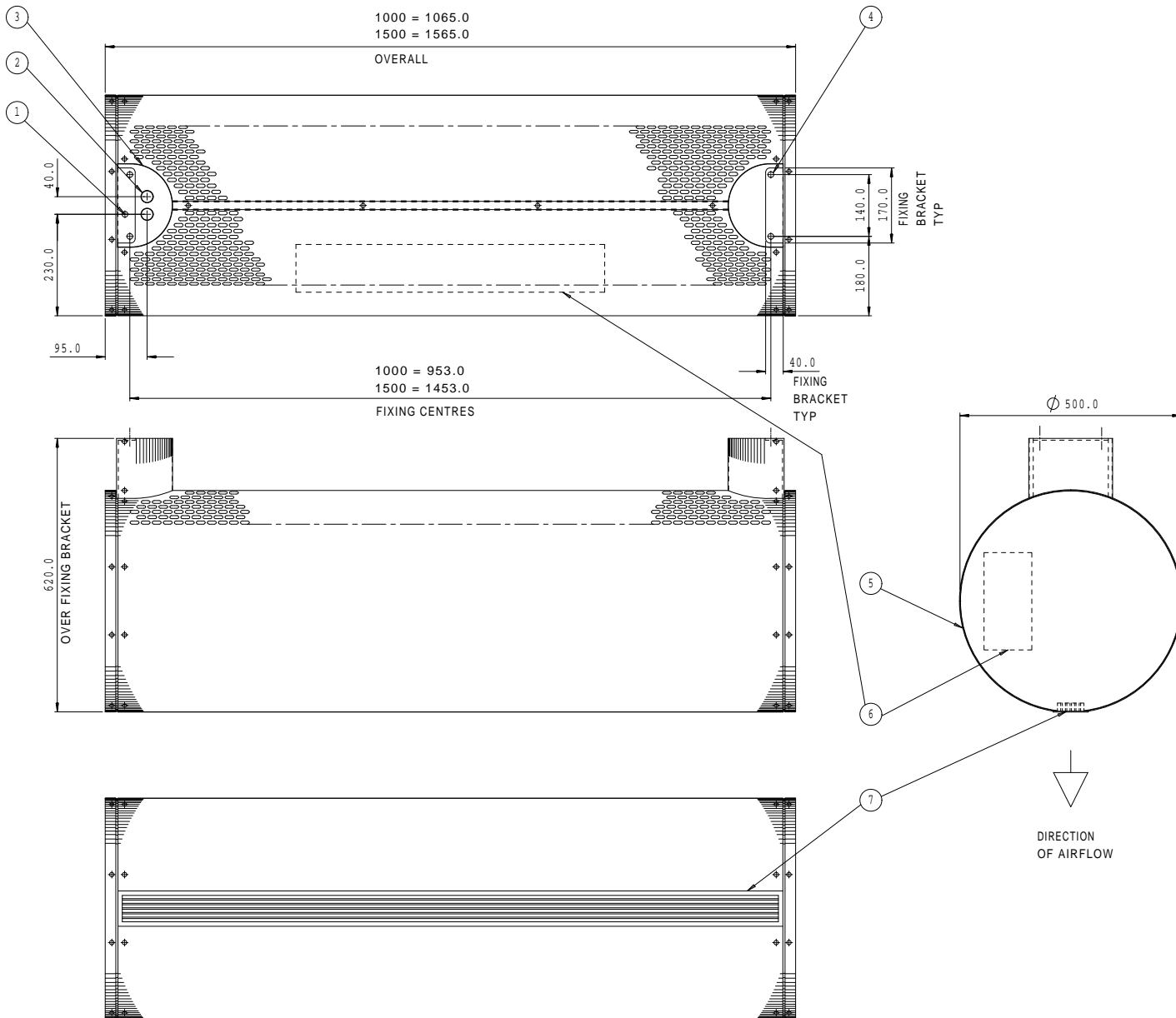


DO NOT SCALE

IF IN DOUBT ASK

© COPYRIGHT RESERVED ET ENVIRONMENTAL LTD.



ITEM	DESCRIPTION
1	CABLE ENTRY
2	COIL TAILS ϕ 22mm OD PLAIN TAILS (LPHW UNITS ONLY)
3	PIPEWORK / CABLES / DROP ROD SHROUD
4	FIXING HOLES ϕ 13mm (4-POSITIONS)
5	ACCESS PANEL
6	CONTROL BOX
7	DISCHARGE GRILLE

OPTIONS:

- LPHW / ELECTRIC UNITS: PIPEWORK / CABLES / DROP ROD SHROUDS CAN BE SUPPLIED IN LONGER LENGTHS TO SUIT DIFFERENT APPLICATIONS.
- LPHW UNITS: COIL TAILS CAN BE AT THE OPPOSITE END OF UNIT.

NOTES:

1. GENERAL TOLERANCE ON OVERALL DIMENSIONS: +/-4mm.
2. OUTER CASING FINISHED IN POWDERCOAT PAINT (COLOUR SPECIFIED BY THE CUSTOMER), OR BRUSHED STAINLESS STEEL.
3. DISCHARGE GRILLE PAINTED TO MATCH OUTER CASING, OR WITH A NATURAL ANODISED ALUMINIUM FINISH.

UNIT	WEIGHT
1000 LPHW	55Kg
1500 LPHW	74Kg
1000 ELEC.	60Kg
1500 ELEC.	77Kg

The designs shown in these drawings are the original creations of Diffusion Environmental Systems which owns all the intellectual property rights therein. No reproduction may be made of the drawings nor may articles be made therefrom without prior written permission
ALL RIGHTS RESERVED
C Dffusion 2000

REV.	MOD.NO.	DATE	DRN	CHKD	DRAWING TO B.S. 308:PARTS 1,2 AND 3. WELDING TERMS AND SYMBOLS TO B.S. 499:PART 2.	SCALE	N.T.S.	DRAWN	MW	DIFFUSION 47 Central Avenue, West Molesey, Surrey, KT8 2QZ Telephone 020 8783-0033. Fax 020 8783 0140 email: diffusionheat@etenv.co.uk			
5	ECR 3042	30-04-04	ANR			MAT'L		DATE	24-07-01	CHECKED	PC	TITLE	GENERAL ARRANGEMENT - SALES CHAMELEON 1000 & 1500 LPHW/ELECTRIC CIRCULAR DOOR HEATER TYPE 'A' HORIZONTAL (TOP MOUNTED VERSION)
MODIFICATION					GEOMETRIC TOLERANCE SYMBOLS	ALL DIMENSIONS IN MM THIRD ANGLE PROJECTION		TOLERANCES UNLESS OTHERWISE STATED		DATE			
4	ECR2891	26-06-03	MW		CHARACTERISTIC	SYM	CHARACTERISTIC	SYM	DIMENSIONAL \pm 0,5		DATE		14-12-01
3	ECR2632	13-05-02	MW		Straightness	—	Angularity	∠	ANGULAR \pm 1°		DATE		14-12-01
2	MIN MOD	10-08-01	MW		Flatness	∇	Run out	↗			DATE		14-12-01
1	REQ2454	10-08-01	MW		Roundness	○	Position	⊕			DATE		14-12-01
					Cylindricity	∅	Concentricity	⊙			DRG.NO.		A1/12112
					Profile of a line	∩	Symmetry	∩			JOB		STANDARD
					Profile of a surface	∩	M.M.C.	⊖					
					Parallelism	//	Squareness	⊥					